

# Florida Wholesale Catalog



Providing quality products and services to protect  
life & property from the devastation of fire.



[www.firesafetysupply.net](http://www.firesafetysupply.net)

[sales@firesafetysupply.net](mailto:sales@firesafetysupply.net)

1-800-498-FIRE(3473)



# Wholesale Catalog

## from FIRE SAFETY SUPPLY

### Table of Contents

Page		Page	
<a href="#">4-5</a>	Fire Extinguishers Amerex	<a href="#">45</a>	Specialty Service Items
<a href="#">6</a>	Fire Extinguisher Ansul Sentry	<a href="#">46</a>	Fire Hoses and Accessories
<a href="#">7</a>	Fire Extinguisher Redline & High Flow	<a href="#">47-48</a>	Diagram Amerex Dry Chemical
<a href="#">8</a>	Fire Extinguisher Badger	<a href="#">49</a>	Diagram Amerex High Performance & Z-Series
<a href="#">9</a>	Fire Extinguisher Buckeye	<a href="#">50</a>	Diagram Amerex Halotron
<a href="#">10</a>	Fire Extinguisher Strike First	<a href="#">51-52</a>	Diagram Amerex Carbon Dioxide
<a href="#">11</a>	Extinguisher Parts Amerex	<a href="#">53-54</a>	Diagram Amerex Wet Chemical
<a href="#">12</a>	Extinguisher Parts Ansul Sentry	<a href="#">55-56</a>	Diagram Ansul Redline Model 10-G
<a href="#">13</a>	Extinguisher Parts Ansul Redline	<a href="#">57-58</a>	Diagram Ansul Redline Model 20-G
<a href="#">14</a>	Extinguisher Parts Misc	<a href="#">59-60</a>	Diagram Ansul Redline Model 30-G
<a href="#">15</a>	Extinguisher Service Items	<a href="#">61-63</a>	Diagram Ansul Sentry Dry Chemical
<a href="#">16</a>	Fire Extinguisher Covers	<a href="#">64-65</a>	Diagram Ansul Sentry Cleanguard
<a href="#">17</a>	Brackets Amerex	<a href="#">66-67</a>	Diagram Ansul Sentry Cleanguard+
<a href="#">18</a>	Brackets Ansul Sentry/Redline	<a href="#">68-69</a>	Diagram Ansul Sentry Carbon Dioxide
<a href="#">19</a>	Misc. Brackets, Cabinets, & Accessories	<a href="#">70-71</a>	Diagram Ansul Sentry Wet Chemical
<a href="#">20</a>	Surface Mounted Cabinets & Spare Parts	<a href="#">72-75</a>	Diagram Buckeye ABC Dry Chemical
<a href="#">21</a>	Stickers & Signs	<a href="#">76-77</a>	Diagram Buckeye Carbon Dioxide
<a href="#">22</a>	Getz & Recharge Adaptors	<a href="#">78-79</a>	Diagram Buckeye Water
<a href="#">23-24</a>	Chemicals	<a href="#">80-81</a>	Diagram Buckeye K-Class
<a href="#">25-28</a>	System Parts Ansul R102	<a href="#">82</a>	Diagram Ansul R102 Automan Regulated Release Assy.
<a href="#">29-32</a>	System Parts Pyro-Chem Kitchen Knight II	<a href="#">83</a>	Diagram Ansul R102 Regulated Actuator Assembly
<a href="#">33-36</a>	System Parts Pyro-Chem Monarch	<a href="#">84</a>	Diagram Ansul R102 Enclosure Assembly
<a href="#">37-39</a>	System Parts Range Guard	<a href="#">85</a>	Diagram Ansul R102 Tank Assembly
<a href="#">40</a>	System Parts Industry Guard Promotion	<a href="#">86</a>	Diagram Ansul R102 Remote Release
<a href="#">41-42</a>	System Parts Amerex KP	<a href="#">87-90</a>	Bracket Reference Guides
<a href="#">43</a>	Hood Seals, Adaptors & Cutters	<a href="#">91-93</a>	Bulletins
<a href="#">44</a>	3/8" Pipe Fittings & Nipples		



**Delivery available at participating locations!**



WARNING: Cancer and Reproductive Harm—[www.p65warnings.ca.gov](http://www.p65warnings.ca.gov)



Sales@firesafetysupply.net

CONTACT US TODAY

1-800-498-FIRE(3473)

Or Visit one of our Local Branches Below:

#### NORTHERN CALIFORNIA

468 Yolanda Ave. Suite 201  
Santa Rosa, CA 95404  
707-575-9117

#### SOUTHERN CALIFORNIA

9087 Arrow Route #130  
Rancho Cucamonga, CA 91730  
909-476-0085

#### TEXAS

712 N. General Bruce Dr.  
Temple, TX 76504  
254-481-0087

#### FLORIDA

\*Coming Soon\*  
1-800-498-FIRE (3473)

# Fire Extinguishers-Amerex

Fire Extinguishers Amerex



ABC Dry Chemical		
B417T	2.5lb. ABC w/Vehicle Bracket (1A:10B:C)	Call For Pricing
B402	5lb. ABC w/Wall Hanger (3A:40B:C)	
B402T	5lb. ABC w/Vehicle Bracket (3A:40B:C)	
B500	5lb.ABC w/Wall Hanger(2A:10B:C)	
B500T	5lb. ABC w/vehicle Bracket (2A:10B:C)	
B456	10lb. ABC w/Wall Bracket (4A:80B:C)	
A411	20lb. ABC w/Wall Bracket (10A:120B:C)	
Purple K		
B410T	2.5lb. Purple K w/Vehicle Bracket (10B:C)	Call for Pricing
B479	5LB Purple K w/Wall Bracket (30B:C)	
B479T	5LB Purple K w/Vehicle Bracket (30B:C)	
B460	10lb. Purple K Brass Valve w/Wall Bracket (80B:C)	
A415	20lb Purple K Brass Valve w/Wall Bracket (120B:C)	
A413	20lb Purple K Fire Extinguisher w/Wall Bracket (120B:C)	
Halotron		
A384T	1.4lb. Halotron w/Vehicle Bracket (1B:C)	Call for Pricing
B385TS	2.5lb.Halotron w/Vehicle Bracket (2B:C)	
B386T	5lb. Halotron w/Vehicle Bracket (5B:C)	
B394TS	5.5 lb. Halotron w/Vehicle Bracket (5B:C)	
397	11lb. Halotron w/Wall Bracket (1A:10B:C)	
398	15.5lb. Halotron w/Wall Bracket (2A:10B:C)	
CO2		
322	5lb. CO2 'w/Wall Bracket (5B:C)	Call For Pricing
322NM	5lb. CO2 , Non-Magnetic w/NM Wall Bracket (5B:C)	
330	10lb. CO2 w/Wall Bracket (10B:C)	
331	15lb. CO2 w/Wall Bracket (10B:C)	
332	20lb. CO2 w/Wall Bracket (10B:C)	
Wet Chemical		
240	2.5 Gallon Water Fire w/Wall Bracket (2A)	Call For Pricing
C260	6 Liter K Class w/Wall Bracket (2A:K)	
C262	2.5Gal. Wet Chemical w/Wall Bracket (2A:K)	

**Don't see the Extinguisher you need listed?**  
 Ask us! We can special order any Amerex Extinguisher



**Delivery available at participating locations!**

# Fire Extinguishers-Amerex



Z-Series High Performance Fast Flow		
790	13.2 lb. ABC Fast Flow w/Wall Bracket (2A:40B:C)	Call For Pricing
791	20 lb. ABC Fast Flow w/Wall Bracket (4A:40B:C)	
792	30 lb. ABC Fast Flow w/Wall Bracket (4A:40B:C)	
793	13.2 lb. Purple-K Fast Flow w/Wall Bracket (40B:C)	
794	20 lb. Purple-K Fast Flow w/Wall Bracket (40B:C)	
795	20 lb. Purple-K Fast Flow w/Wall Bracket (20B:C)	
796	30 lb. . Purple-K Fast Flow w/Wall Bracket (40B:C)	



Z-Series High Performance Compliance Flow		
713	13.2 lb. ABC Compliance Flow w/Wall Bracket (4A:80B:C)	Call for Pricing
714	20 lb. ABC Compliance Flow w/Wall Bracket (10A:120B:C)	
715	30 lb. ABC Compliance Flow w/Wall Bracket (10A:160B:C)	
716	13.2 lb. Purple-K Compliance Flow w/Wall Bracket (80B:C)	
717	20 lb. Purple-K Compliance Flow w/Wall Bracket (120B:C)	
718	30 lb. Purple-K Compliance Flow w/Wall Bracket (160B:C)	



High Flow Dry Chemical		
720	10 lb. ABC High Flow w/Wall Bracket (1A:20B:C)	Call for Pricing
760	20 lb. ABC High Flow w/Wall Bracket (4A:60B:C)	
722	10 lb. Purple-K High Flow w/Wall Bracket (20B:C)	
762	20 lb. Purple-K High Flow w/Wall Bracket (60B:C)	

**Z-SERIES** extinguishers are the ultimate choice in fire extinguishers for high hazard, frequent use, and extreme environment applications. They are economical—less initial cost, lower maintenance costs, and greater reliability than cartridge-operated extinguishers. Amerex Z-Series extinguishers are available with a proprietary, zinc-enriched coating that resists corrosion for up to 12 years in severely salt-contaminated environments.

**HIGH FLOW** portable fire extinguishers are for applications where discharge rates exceeding one pound per second are required as specified in NFPA 10. These extinguishers utilize the same hardware and are manufactured to the same UL specifications as Amerex compliance-rated products.



**Don't see the Extinguisher you need listed?**  
 Ask us! We can special order any Amerex Extinguisher



**Delivery available at participating locations!**

# Fire Extinguishers-Ansul Sentry

Fire Extinguishers Ansul Sentry



442257



436494



442410



434909

ABC Dry Chemical		
438735	2.5lb. ABC w/Vehicle Bracket (1A:10B:C) A02SVB	Call For Pricing
442257	5lb. ABC w/Wall Hanger (3A:40B:C) AA05S	
442258	5lb. ABC w/Vehicle Bracket (3A:40B:C) AA05S-1VB	
436500	10 lb. ABC w/Wall Hanger (4:A80:BC) AA10S	
440945	10 lb. ABC <b>High Flow</b> w/Wall Hanger (1A:20B:C) HF-AA10S	
434747	20lb. ABC w/Wall Hanger (10:A-20:BC) AA20	
440940	20 lb. ABC <b>High Flow</b> w/Wall Hanger (4A:60B:C) HF-AA20S-1	
Purple K		
442253	5 lb. Purple-K w/Wall Bracket ( 60B:C) PK05S	Call for Pricing
436494	10 lb. Purple-K w/Wall Bracket ( 80B:C) PK10S	
440935	10 lb. Purple-K <b>High Flow</b> w/Wall Hanger (20B:C) HF-PK10S	
429011	20 lb. Purple-K w/Wall Bracket (120B:C) PK20	
440930	20 lb. Purple-K <b>High Flow</b> w/Wall Hanger (60B:C) HF-PK20	
Clean Guard+		
443475	3.5 lb. Clean Guard w/Vehicle Bracket (2B:C) CA03VB	Call for Pricing
443476	7.5 lb. Clean Guard w/Wall Bracket (5B:C) CA07	
443477	13 lb. Clean Guard w/Wall Bracket (1A:10B:C) CA13	
443478	25 lb. CleanGuard+ w/Wall Bracket (2A:10B:C) CA25	
443479	14 lb. NM Clean Guard w/Wall Bracket (1A:10B:C) CA14-NM	
CO2		
431569	5 lb. Steel CO2 w/Wall Bracket (5B:C) CD05-1	Call For Pricing
431553	5 lb. Aluminum CO2 w/Wall Bracket (5B:C) CD05A-1	
442410	10 lb. Steel CO2 w/Wall Bracket (10B:C) CD10-2	
431554	10 lb. Aluminum CO2 w/Wall Bracket (10B:C) CD10A-1	
442411	15 lb. Steel CO2 w/Wall Bracket (10B:C) CD15-2	
431555	15 lb. Aluminum CO2 w/Wall Bracket (10B:C) CD15A-1	
442412	20 lb. Steel CO2 w/Wall Bracket (10B:C) CD20-2	
431556	20 lb. Aluminum CO2 w/Wall Bracket (10B:C) CD20A-1	
Wet Chemical		
430847	2.5 Gallon Water Fire w/Wall Bracket (2A)	Call For Pricing
434909	6 Liter K Class w/Wall Bracket (2A:K)	

**Don't see the Extinguisher you need listed?**

Ask us! We can special order ANSUL Extinguishers



**Delivery available at participating locations!**



# Fire Extinguishers – Ansul Redline



Redline Foray ABC		
445451	10lb., I-A-10-G-1 (4A:40B:C) (Foray)	Call For Pricing
445454	20 lb., I-A-20-G-1 (6-A:60-B:C) (Foray)	
445457	30 lb. I-A-30-G-1 (10A:80:BC) (Foray)	
Redline Plus-Fifty C BC		
445450	10lb. I-10-G-1 (40B:C) (Plus-Fifty C)	Call for Pricing
445453	20 lb., I-20-G-1 (60-B:C) (Plus-Fifty C)	
445456	30 lb., I-30-G-1 (80:BC) (Plus-Fifty C)	
Redline Purple K		
445449	10lb. I-K-10-G (60B:C) (Purple K)	Call for Pricing
445452	20lb. I-K-20-G (80B:C) (Purple K)	
445455	30 lb., I-K-30-G (120-B:C) (Purple K)	
Redline		
418288	30 lb., MX-I-30-G (MET-L-X)	Call for Pricing
418290	30 lb., LX-I-30-G (LITH-X)	
418291	30 lb. ML-I-30-G (MET-L-KYL)	



**Don't see the Extinguisher you need listed?**  
**Ask us!** We can special order ANSUL Extinguishers

RED Line dry chemical fire extinguishers are designed for the protection of ordinary and high risk hazards. This hand portable extinguisher is used in industries where the occurrence or possibility of fire is high.

Ansul offers a wide array of options to customize the extinguisher to meet your needs.

Wheeled units are also available. Call us for details.

Corrosions Resistant (CR) Models

Ring Pin (RP) Models

Low Temperature (LT) Models

High Flow (HF) Models



**Delivery available at participating locations!**



# Fire Extinguishers-Badger



ABC Badger Advantage		
21007865	2.5 lb. ABC w/Vehicle Bracket (1A:10BC) ADV-4-1	Call For Pricing
21007866	5.5 lb. ABC w/Wall Bracket (3A:40B:C) ADV-550	
21007867	10 lb. ABC w/ Wall Bracket (4A:60B:C) ADV-10	
21007868	20 lb. ABC w/Wall Bracket (6A:80B:C) ADV-20	
ABC Badger Standard		
22430	2.5 lb. ABC w/Vehicle Bracket (1A:40BC) 250MB-1	Call for Pricing
22435	5 lb. ABC w/Wall Bracket (3A:40B:C) 5MB-6H	
22486	5 lb. ABC w/Vehicle Bracket (3A:40B:C) 5MB-6HB	
22603	10 lb. ABC w/Wall Bracket (10A:80B:C) 10MB-8H	
22682	10 lb. ABC w/Wall Bracket (6A:120B:C) 20MB-6H	
Halotron		
24563	2.5 lb. Halotron w/Vehicle Bracket (2B:C) 2.5HB-2	Call for Pricing
24567	5 lb. Halotron w/Wall Bracket (5B:C) 5HB-2	
23082	11.5 lb. Halotron w/Wall Bracket (1A:10B:C) 11.5HB	
23097	15.5 lb. Halotron w/Wall Bracket (2A:10B:C) 15HB	
CO2		
21111	5 lb. CO2 w/Wall Bracket (5B:C) B5V-2	Call For Pricing
21106	10 lb. CO2 w/Wall Bracket (10B:C) B10V-1	
21103	15 lb. CO2 w/Wall Bracket (10B:C) B115V-1	
21096	20 lb. CO2 w/Wall Bracket (10B:C) B20V-1	
Wet Chemical		
16888	2.5 Gallon Water Fire w/Wall Bracket (2A)	Call For Pricing
25064	6 Liter K Class w/Wall Bracket (K) WC-100	



**Delivery available at participating locations!**

# Fire Extinguishers-Buckeye




ABC Buckeye		
13315	2.5 lb. ABC w/Vehicle Bracket (1A:10BC)	Call For Pricing
10914	5 lb. ABC w/Wall Bracket (3A:40B:C)	
25614	5 lb. ABC w/Vehicle Bracket (3A:40B:C)	
11340	10 lb. ABC w/ Wall Bracket (4A:80B:C)	
12120	20 lb. ABC w/Wall Bracket (10A:120B:C)	
CO2		
45100	5 lb. CO2 w/Wall Bracket (5B:C)	Call For Pricing
45600	10 lb. CO2 w/Wall Bracket (10B:C)	
46100	15 lb. CO2 w/Wall Bracket (10B:C)	
46600	20 lb. CO2 w/Wall Bracket (10B:C)	
Wet Chemical		
50006	6 Liter K Class w/Wall Bracket, WC-100 (1A:K)	Call For Pricing
50000	2.5 Gallon Water Extinguisher w/Wall Bracket (2A)	Call for Pricing



**Delivery available at participating locations!**

# Fire Extinguishers-Strike First

ABC Multi-Purpose		
ABC110ST	2.5 lb. ABC w/Vehicle Bracket (1A:10BC)	Call For Pricing
ABC340	5 lb. ABC w/Wall Bracket (3A:40B:C)	
ABC340-VB	5 lb. ABC w/Vehicle Bracket (3A:40B:C)	
ABC680	10 lb. ABC w/ Wall Bracket (4A:80B:C)	
ABC1020	20 lb. ABC w/Wall Bracket (10A:120B:C)	
CO2		
5CO2	5 lb. CO2 w/Wall Bracket (5B:C)	Call For Pricing
10CO2	10 lb. CO2 w/Wall Bracket (10B:C)	
15CO2	15 lb. CO2 w/Wall Bracket (10B:C)	
20CO2	20 lb. CO2 w/Wall Bracket (10B:C)	
Wet Chemical		
SF-6LK	6L Kitchen K-Class Extinguisher w/ Wall Hook (1A:K)	Call For Pricing
PW-250	9L Pressurized Water w/ Wall Hook (2A)	

 WARNING: Cancer and Reproductive Harm—[www.p65warnings.ca.gov](http://www.p65warnings.ca.gov)



Delivery available at participating locations!

# Extinguisher Parts-Amerex

Valve Stems		
06092	DC Aluminum Valve Stem	\$ 3.75
06093	DC Brass Valve Stem	\$ 5.99
01539	Amerex CO2 Valve Stem	\$ 13.22
14878	K Class Valve Stem	\$ 12.55
14327	Halotron Small Valve Stem	\$ 5.56
13288	Halotron Large Valve Stem	\$ 11.18
Gauges		
03103	195psi Aluminum DC Gauge	\$ 8.57
03105	125psi Halon Gauge	\$ 7.56
03106	195psi Halon Gauge	\$ 9.29
06479	100psi WP Foam Gauge	\$ 9.83
14417	100psi Halotron Gauge	\$ 8.62
O-Rings		
05241	Collar O-Ring	\$ 0.58
05240	Collar O-Ring	\$ 0.63
01124	Collar O-Ring - 1 1/8"	\$ 2.98
Nozzle tips, Hoses and Horns, Dry Chemical		
12494	Nozzle - 376 (.076 SHORT)	\$ 1.14
01926	Nozzle - B417 (.129)	\$ 4.34
01276	Nozzle - B410 (.120)	\$ 5.87
14849	Hose & Horn Assembly - B402 (.157)	\$ 15.34
06215	Hose & Horn Assembly - B453, B500 (.147)	\$ 13.34
05248	Hose & Horn Assembly - B479, B443 (.152)	\$ 13.74
05564	Hose & Horn Assembly - B456 (.191)	\$ 16.38
11221	Hose & Horn Assembly - A411 (.209)	\$ 20.18
06095	Hose & Horn Assembly - B460, B441 (.152)	\$ 21.02
03339	Hose & Horn Assembly - 423 (.174)	\$ 26.80
05174	Hose & Horn Assembly - 415 (.177)	\$ 29.85
12603	Hose & Horn Assembly - 692 (.216)	\$ 28.66
13439	Hose & Horn Assembly - 693 (.191)	\$ 24.78

Nozzle tips, Hoses and Horns, CO2		
01772	Horn - 322	\$ 8.01
22400	Horn - 321M	\$ 9.17
01769	Discharge Tube - 322	\$ 17.33
22582	Discharge Tube - 321M	\$ 17.45
Nozzle tips, Hoses and Horns, Halotron		
14407	Nozzle - 384 (.121)	\$ 0.87
14408	Nozzle - B385 (.166)	\$ 15.58
14409	Nozzle - B386, B394 (.277)	\$ 13.40
Nozzle tips, Hoses and Horns, Wet Chemical		
27708	Hose Assembly - C272	\$ 51.49
16043	Hose & Nozzle Assembly - B260, B260CG	\$ 58.58
27476	Hose & Nozzle Assembly - C260, C260CG,	\$ 48.29
06999	Hose & Nozzle Assembly - 240	\$ 23.63
07000	Hose & Aspirated Black Nozzle Assembly -	\$ 38.13



Delivery available at participating locations!

# Extinguisher Parts-Ansul Sentry

Extinguisher Parts Ansul Sentry



Valve Stems		
429099	Sentry Valve Stem (New)	\$ 3.25
024489	Stem, Valve Metal (SY-05, 06, 10, 20) Old	\$ 4.97
054227	Stem, Valve (SY-0214, 0515)Old	\$ 3.65
428431	Valve Stem Assembly (Brass, include O-Ring)	\$ 7.42
441004	Sentry CO2 Plunger Assembly	\$ 5.78
Gauges		
056776	195 psi, DC Gauge, (all dry chem)	\$ 6.29
426264	125 psi, Cleanguard Gauge	\$ 9.39
429536	100 psi, Wet/Water Gauge (K01-1)(W02-1)	\$ 11.38
O-rings		
428327	O-Ring	\$ 0.59
429170	O-Ring, Valve to Cylinder (CD05A, CD10A-1, CD15A-1, CD20A-1)	\$ 4.86
Nozzle tips, Hoses and Horns, Dry Chemical		
428728	Hose Assembly (A05, A05VB)	\$ 9.02
428729	Hose Assembly (AA05, AA05VB)	\$ 9.02
428732	Hose and Nozzle Assembly (A10T, A10H, C10, C10S)	\$ 9.39
428734	Hose and Nozzle Assembly (PK10, PK10S)	\$ 10.67
428736	Hose and Nozzle Assembly (AA20)	\$ 10.67
428738	Hose and Nozzle Assembly (PK20)	\$ 10.67
436592	Hose and Nozzle Assembly (AA10)S	\$ 11.38
442351	Hose and Nozzle Assembly (PK05S)	\$ 9.02
442354	Hose and Nozzle Assembly (A05S-1)	\$ 9.02
442405	Nozzle Tip (A02, A02VB, A02S, A02SVB) Aluminum	\$ 2.01
428740	Hose and Nozzle Assembly (C20) Plus 50 Dry Chem	\$ 10.67
Nozzle tips, Hoses and Horns, CO2		
429184	Horn (CD05A, CD05, CD05A-1, CD05-1)	\$ 10.86
429196	Hose 3/8 x 3/8 (CD and CD-A)	\$ 29.27
429197	Horn (CD and CD-A)	\$ 11.78
Nozzle tips, Hoses and Horns, Cleanguard		
428743	Hose and Nozzle Assembly (FE09, FE13)	\$ 24.60
Nozzle tips, Hoses and Horns, Wet Chemical		
439495	K Class Hose Assembly	\$ 36.28
429543	Hose and Nozzle Assembly (W02-1)	\$ 32.78



**Delivery available at participating locations!**

# Extinguisher Parts-Ansul Redline



007032



000181



416346



017999



014756



## Cartridges

004616	Cartridge, Carbon Dioxide 10 lb.	\$ 49.00
013193	Cartridge, Nitrogen LT-10-R (RHT)	\$ 82.15
004614	Cartridge, Carbon Dioxide 20 lb	\$ 57.87
007032	Cartridge, Nitrogen, LT-20-R (RHT)	\$ 124.63
004615	Cartridge, Carbon Dioxide 30 lb.	\$ 63.27
005373	Cartridge, Nitrogen, LT-30-R (RHT)	\$ 136.58

## Cartridge Guards

418023	Guard, Cartridge (10-G)	\$ 46.48
418024	Guard, Cartridge (LT-10-G)	\$ 46.48
416346	Guard, Cartridge (20-G)	\$ 46.69
416524	Guard, Cartridge (LT-20-G)	\$ 46.69
426447	Guard Assembly, Metal, 20-G w/o Ring Pin	\$ 103.40
418025	Guard, Cartridge (Hand Portable, 30-G)	\$ 49.37
418026	Guard, Cartridge (LT-30-G)	\$ 49.37

## Fill Caps, Gaskets and Seals

017999	Cap, Fill, Indicator (10/20/30-E and G)	\$ 79.11
032028	Cap, Fill (10, 20 and 30)	\$ 83.35
006190	Gasket, Fill Cap (Hand Portable - 10/20/30-E and G/A-101)	\$ 4.85
017630	Ring, Quad (Fill Cap Indicator)	\$ 2.01
000181	Gasket, Cartridge Receiver (Hand Portable)	\$ 2.10
415659	Hose Inspection Seal, 10 lb. Extinguisher (Pack of 60)	\$ 296.40
415660	Hose Inspection Seal, 20 lb. Extinguisher (Pack of 44)	\$ 228.36
415661	Hose Inspection Seal, 30 lb. Extinguisher (Pack of 31)	\$ 167.71

## Nozzle tips and Hoses

077739	Hose Assembly (CR-LT-10)	\$ 76.39
007091	Hose, 65 deg. F, w/Couplings Assembly (20-E and G, LT-20-E and G)	\$ 75.42
024459	Hose, -65 deg.F, w/Couplings Assembly (CR-20-E and G)	\$ 69.06
007083	Hose, 65 deg. F, w/Couplings Assembly (30-E and G, LT-30-E and G)	\$ 99.17
024451	Hose, -65 deg.F, w/Couplings Assembly (CR-30-E and G)	\$ 92.98
030787	Nozzle Assembly (K-10-E)	\$ 70.79
031407	Nozzle Assembly (A-10-E)	\$ 70.79
030778	Nozzle Assembly (A-30/K-30/LT-K-30-E)	\$ 101.47
030818	Nozzle Assembly (Hand Portable, CR-K-30-E)	\$ 85.74
030789	Nozzle Assembly (A-20-E, K-20-E, LT-K-20-E)	\$ 110.34
030817	Nozzle Assembly (CR-K-20-E)	\$ 85.65

Delivery available at participating locations!

# Extinguisher Parts-Misc.



Universal Strap #1

Universal Hose Clip

## Badger Valve Stems

19010	DC Badger Valve Stem	\$ 2.58
440068	Kidde Valve Stem	\$ 1.49
23068	SM Badger Halotron Valve Stem 2.5# & 5#	\$ 5.31
23086	LG Badger Halotron Valve Stem	\$ 11.99
23355	Halotron Valve Stem Galvanized 2.5# & 5#	\$ 5.10
23389	Brass Small Valve Stem	\$ 3.11
12426	Brass Lg Valve Stem	\$ 3.46



## Buckeye Valve Stems

103215	Buckeye ABC & Non Tapered Halon	\$ 4.02
103216	Buckeye Halotron Valve Stem	\$ 4.89
900921	Buckeye K, Water & Wet Chemical Valve Stem	\$ 5.08
900321	Buckeye CO2 Valve Stem	\$ 4.51



## Strike First Valve Stems

C110427	Strike First Valve Stem Assembly (2.5# - 5#)	\$ 2.42
C161428	Strike First Valve Stem Assembly (5-30# Dry Chemical)	\$ 2.44

## O-Rings

23074	Badger Halotron O-Ring for 2.5# and 5#	\$ 1.02
23089	Badger Halotron O-Ring for 11# and 15.5#	\$ 1.53
340035	Kidde Collar O-Ring (Dry Chemical and Halon)	\$ 0.46
900001	BUCKEYE Neck O-RING for All ABC & HALON Steel Extinguishers less than 30lb	\$ 0.78
900004	Buckeye ABC Neck O-Ring for 2.5lb Aluminum Cylinder	\$ 0.82
900013	Buckeye Halotron O-Ring (steel cyl)	\$ 3.42
C161345	Strike First Valve Body O-Ring	\$ 0.42




## Universal Gauges

PSI195	195psi Gauge	\$ 3.34
--------	--------------	---------



## Universal Hose Straps & Pins

FSSSTRAP1	Universal Strap #1, 36"	\$ 0.86
FSSSTRAP2	Universal Strap #2, 24 "	\$ 0.57
FSSUHC	Universal Hose Clip	\$ 1.10
FSSPP	Pull Pin	\$ 0.18
FSSHDBPIN	Heavy Duty Running Board Vehicle Bracket Pin	\$ 1.03

 WARNING: Cancer and Reproductive Harm—[www.p65warnings.ca.gov](http://www.p65warnings.ca.gov)



Delivery available at participating locations!

Extinguisher Parts Misc.

# Fire Extinguisher Service Items



FSBLANK



Alumalub



FS18HP



111 CMPD



Flag Seals (Tamper Seals) Dated & Non-Dated		
FS Dated	Dated Flag Seals, box of 1000 (colors vary)	\$ 90.00
FS Blank	Non-Dated Flag Seals, box of 1000 (colors vary)	\$ 90.00
Flag Seal Color Options		
Non-Dated Colors: Red, White, Black, Blue, Yellow, Orange, Green		
Dated Colors: Red, White Black, Blue, Yellow, Orange, Green		
Stock & print color varies by branch*		
Flag Seals and Tagging Supplies		
4YPTAG	4 Year Plastic Inspection Tag (each)	\$ 0.34
4YMTAG	4 Year METAL Inspection Tag (each)	\$ 0.50
PMITAG	Monthly Plastic Inspection Tag (each)	\$ 0.48
MIRL	Monthly Inspection labels 2"X3" (Roll 250)	\$ 25.00
STC	Standard Tag Cover, pkg pf 50	\$ 6.00
HDTC	Heavy Duty Tag Cover	\$ 0.31
TW-12	Tag Wire Bundle	\$ 9.28
FSSDT	Diamond Tag Fasteners (1000)	\$ 16.96
Hanging Hardware		
MIBC	1' Beam Adapter for Extinguisher Wall Hook (7/8" Jaw Opening and 1/4-20 Threaded Holes)	\$ 1.85
EZANCHORM	EZ Anchor Metal W/Screw pkg/100 use w/I Beam	\$ 26.00
EZANCHORP	EZ Anchor Plastic W/Screw pkg/100 use w/I Beam	\$ 26.00
316FLATHEAD	3/16' x 2' Flat Head Screws for Snap Toggle pkg/100	\$ 9.00
SNAPTOGGLE	Snap Toggle 3/16" Anchors 100/Box (Must order 316FlatHead Machine Screws Separately)	\$ 48.00
Hole Punches		
FS18HP	1/8" Hole Punch with soft grip	\$ 9.06
FS18HPHD	1/8" Hole Punch Heavy Duty	\$ 27.39
FE & System Lubricant, Smoke Check		
ALUMALUB	15oz Best Aerosol FE Lubricant	\$ 13.86
111 CMPD	Molykote Compound	\$ 28.79
06247	Amerex Bluestar Lubricant V-711 5oz	\$ 41.53
SC25	Smoke Check, Smoke Detector Test 2.5oz	\$ 13.55
Fire Extinguisher Cleaning Brushes		
BTB34	Brass Tube Brush	\$ 8.24
BBCB	Brass Tube Brush	\$ 4.95
TPCC-41	Tuft Cleaning Brush (Tooth Brush)	\$ 0.98
SSTB38	3/8" SS Tube Brush with Plastic Handle	\$ 3.25
NB	Nylon Bristle Brush	\$ 5.60



**Delivery available at participating locations!**

# Fire Extinguisher Covers

## Extinguisher Cover Size Chart

FE1: 5 to 10lb Extinguisher Covers 20" x 12.5"

FE2: 15 to 30lb Extinguisher Covers 27" x 16"

FE3: 30lb + Extinguisher Covers 32" x 16"

**W = with Window HD = Heavy Duty**

*Please review the size chart to ensure correct cover\**



Fire Extinguisher Covers-no window (each)		
FE1	5 to 10lb Small Cover	\$ 8.67
FE2	15 to 30lb Medium Cover	\$ 9.35
FE3	30lb + Large Cover	\$ 11.04
FE1HD	5 to 10lb Heavy Duty Small Cover	\$ 13.21
FE2HD	15 to 30lb Heavy Duty Medium Cover	\$ 15.58
FE3HD	30lb + Heavy Duty Large Cover	\$ 17.68
Fire Extinguisher Covers-no window (each)		
FE1W	5 to 10lb Small Cover w/window	\$ 9.55
FE2W	15 to 30lb Medium Cover w/window	\$ 10.30
FE3W	30lb + Large Cover w/window	\$ 11.45
FE1WHD	5 to 10lb HD Small Cover w/win.	\$ 14.56
FE2WHD	15 to 30lb HD Medium Cover w/win.	\$ 16.93
FE3WHD	30lb + HD Large Cover w/win.	\$ 19.46
Wheeled Unit Covers		
WFE150	150lb Wheeled Unit Cover	\$ 63.11
WFE350	350lb Wheeled Unit Cover	\$ 76.37
WFE150HD	150lb Heavy Duty W/U Cover	\$ 128.22
WFE350HD	350lb Heavy Duty W/U Cover	\$ 157.89
Ansul Red Line Cart-Op Covers (each)		
007599	5lb Redline Cover	\$ 58.27
067636	10lb Redline Cover	\$ 36.66
067637	20lb Redline Cover	\$ 38.77
067638	30lb Redline Cover	\$ 43.20
Ansul Wheeled Unit Covers (each)		
001139	150-C Cover	\$ 211.83
001131	350-C Cover	\$ 281.27
055449	150-D Cover	\$ 199.47
055448	350-D Cover	\$ 285.53



**Delivery available at participating locations!**

Fire Extinguisher Covers

# Brackets-Amerex



807 809 812



809G 810G 811G



860 862 864



845 817 818



04834 01521 05525

Amerex Heavy Duty Brackets		
807	5# HD Bracket 4.25" Cylinder (black)	\$ 29.61
809	10# HD Bracket 5" Cylinder (black)	\$ 32.30
810	20# HD Bracket 7" Cylinder (black)	\$ 42.97
811	20# CO2 HD Bracket (black)	\$ 41.72
812	397/398 Halotron Bracket 6" (black)	\$ 34.38
809G	10# Galvanized HD Bracket 5" Cylinder (red)	\$ 83.64
810G	20# Galvanized HD Bracket 7" Cylinder (red)	\$ 72.13
811G	20# Galvanized CO2 HD Bracket (red)	\$ 81.55
889HB	6&10# Vehicle/Marine Pinhook Bracket (red)	\$ 9.56
861H	5# Heavy Duty Vehicle Bracket	\$ 19.92
860	Small Rubber Strap Bracket 2.75" - 4.5" cylinder	\$ 25.17
862	Med. Rubber Strap Bracket 4.25" - 6.25" Cylinder	\$ 30.76
864	Lg. Rubber Strap Bracket 6.5" - 8" Cylinder	\$ 46.56
Amerex Vehicle Brackets		
817	2.5# Vehicle Bracket	\$ 5.62
817S	2.5# Aircraft (Double Strap) Bracket (red)	\$ 11.66
818	5# Vehicle Bracket (red)	\$ 9.81
818S	5# Aviation Vehicle Bracket w/ Double Strap (Red)	\$ 10.59
821	5# Vehicle/Marine Bracket LB. (red)	\$ 8.95
846	9&10# Tall Vehicle Bracket (Red)	\$ 23.48
Fork Style Hanger Hooks		
05525	Amerex 5lb to 13lb Wall Bracket (Fork Style)	\$ 1.96
01521	Amerex 5lb Wall Bracket (Fork Style)	\$ 1.66
16591	Amerex 2.5-5# Wall Hook	\$ 2.06
00575	Amerex Wall Bracket 10& 15lb CO2	\$ 1.65
09582	Amerex Hanger All 13.2 lb-6Kg and 20 lb. High Performance	\$ 3.53
Amerex HD Bracket Grommets/Strap Replacements		
07802	Heavy duty rubber strap for bracket; 860, 864, 874	\$ 7.01
07166	Rubber strap for 860 and 862 brackets	\$ 4.04
13958	Amerex Rubber Bumper Grommet 860,862,864	\$ 1.14
01990	Amerex Rubber Bumper Grommet 807,809,810	\$ 0.80
FSSHDBPIN	Heavy Duty Running Board Vehicle Bracket Pin	\$ 1.03

**Don't see the Bracket you need listed?**  
 Ask us! We can special order any Amerex Bracket



**Delivery available at participating locations!**

# Brackets-Sentry/Redline



030865

firesafetysupply.net



030886

firesafetysupply.net




007077

firesafetysupply.net



Ansul Sentry Heavy Duty Brackets		
435793	HD 10# Sentry Bracket AA10S,PK10S,C10S	\$ 72.00
030865	10# HD Sentry Bracket A10H,PK10,C10	\$ 72.00
030937	20# HD Sentry Bracket AA20,PK20, C20	\$ 78.80
079456	CO2 HD Bracket CD10,CD10A, CD15,CD15A	\$ 163.16
422737	FE Vehicle Bracket for FE09	\$ 102.02
REDLINE Ansul Heavy Duty Brackets		
007077	5# Redline Bracket (Cadmium Plated USCG Approved)	\$ 116.91
014228	10# Redline Bracket	\$ 121.15
014091	20# Redline Bracket	\$ 127.33
014098	30# Redline Bracket	\$ 120.13
030886	10# HD Redline Bracket	\$ 200.94
030759	20# HD Redline Bracket	\$ 207.85
030889	30# HD Redline Bracket	\$ 246.65
Ansul Vehicle Brackets		
024610	2.5# Ansul Vehicle Bracket	\$ 6.81
429146	5# Ansul Vehicle Bracket	\$ 11.04
Ansul Wall Hangers		
054405	Ansul Hanger Hook 5lb Sentry & Cleanguard	\$ 3.87
428223	Ansul Hanger Hook 10 lb. Sentry	\$ 4.64
030643	Ansul Sentry 20lb. Wall Bracket (old style)	\$ 5.95
003651	Ansul Redline Hanger Hook	\$ 3.59
Generic Wall Hangers		
EHW	Water/Wet/K Class Universal Wall Hook	\$ 0.65
EH5	5# Universal Extinguisher Wall Hook	\$ 0.78
EH15	10-5# Universal Extinguisher Wall Hook	\$ 0.85
EH20	20-30# Universal Extinguisher Wall Hook	\$ 0.95
Miscellaneous		
014089	Redline Rubber Grommet 10-20-30	\$ 1.99
008688	Redline Grommet Band 10-20- 30	\$ 1.54
427995	Hose Clip Assembly (Universal)	\$ 2.24
447635	Magnetic Hose Retainer Replacement	\$ 2.28

 WARNING: Cancer and Reproductive Harm—[www.p65warnings.ca.gov](http://www.p65warnings.ca.gov)

**Don't see the Bracket you need listed?**  
 Ask us! We can special order any Ansul Bracket



**Delivery available at participating locations!**



Brackets Sentry / Redline

# Miscellaneous Brackets, Cabinets, & Accessories



Strike First Vehicle Brackets		
UB5	5 lb. Standard Vehicle/Marine Bracket for ABC Models	\$ 4.29
HDVB-3	Heavy Duty Vehicle/Marine Bracket, for CO2/ABC Models 6 1/4-7 1/8" (Uni-Body Construction)	\$ 39.30
Williams Brothers White Metal Cabinets		
C-100	5LB. White Metal Cabinet 20-1/2" x 8-1/2" x 6"	\$ 31.30
C-999	10LB. White Metal Cabinet 24-1/4" x 10-1/2" x 6-1/2"	\$ 44.50
C-104	20LB. White Metal Cabinet 30-1/8" x 14-1/8" x 9"	\$ 68.39
C-100F	Recessing Frame for C-100, 5 lb. Cabinet (Accessory)	\$ 24.34
C-999F	Recessing Frame for C-999, 10 lb. Cabinet (Accessory)	\$ 25.47
Williams Brothers Replacement Parts		
WB-ARC100	C-100 5lb. Replacement Acrylic 18 1/8" x 8 1/2"	\$ 6.14
WB-ARC999	C-999 10lb. Replacement Acrylic 21 3/4" x 10 3/8"	\$ 7.53
WB-ARC104	C-104 20lb. Replacement Acrylic 27 3/8" x 13 7/8"	\$ 12.80
WB-BAR	Breaker Bar	\$ 3.71
WB-504	Std. Keyed Cyl. Lock	\$ 6.71
WB-SFKEYS	151 Keys (2 per set)	\$ 1.60



WARNING: Cancer and Reproductive Harm—[www.p65warnings.ca.gov](http://www.p65warnings.ca.gov)

**Strike First Heavy Duty Brackets may have multiple applications.**

To determine the appropriate HD vehicle bracket, reference the below chart.

**Don't see the Bracket you need listed?**

Ask us! We can special order any Strike First Bracket.

Brackets are listed on page 77.

## HEAVY DUTY BRACKETS

Model	HDVB-1	HDVB-2	HDVB-3
Diameter	4 - 4 3/4" (102 - 121 cm)	5 - 6" (127 - 152 cm)	6 1/4 - 7 1/8" (159 - 181 cm)
For Extinguisher	5 lb Dry Chemical	10 lb Dry Chemical 5 lb CO <sub>2</sub>	20 lb Dry Chemical 10 lb CO <sub>2</sub> 15 lb CO <sub>2</sub>
U.S.C.G. Approved	YES	YES	YES



**Delivery available at participating locations!**

# Surface Mounted Cabinets & Spare Parts

Cabinets



9163Z30



1100039



10551-H



10576C

## JL Industries Classic White Metal Cabinets

9163Z30	5lb Cabinet w/lock & key 8.5"X19-13/16"X6-1/4"	\$ 51.08
9263Z30	10lb Cabinet w/lock & key 9.5" x 25 3/4" x 6 1/4"	\$ 61.29
9363Z30	20lb Cabinet w/lock & key 10.5"X29-3/4"X6-1/4"	\$ 85.54

## JL Industries Replacement Parts

1122	Replacement Panel (5lb) 8"X18"	\$ 5.62
1123	Replacement Panel (10lb) 9"X24"	\$ 7.74
1124	Replacement Panel (20lb) 10"X28"	\$ 9.68
1100039	Replacement Panel, Scored (5lb) 8"X18"	\$ 7.55
1100040	Replacement Panel, Scored (10lb) 9"X24"	\$ 9.68
1100041	Replacement Panel, Scored (20lb) 10"X28"	\$ 11.61
HCM	Breaker Bar & Chain	\$ 4.45
PLB	Brass Padlock (for Economy Cabinets)	\$ 5.23
PL	ABUS Cabinet Lock	\$ 4.26
MASBREAKSM	Master Breakaway Lock, Small	\$ 7.19
BH005	Cylinder Lock w/straight Cam for Classic Cabinets	\$ 2.52

## CATO Chief Red or White Plastic Fire Extinguisher Cabinets

10551-H	5lb Red Cabinet, H19"XW8"XD6-3/8" OD	\$ 28.80
11051-H	10lb Red Cabinet H23"XW9"XD7" OD	\$ 32.97
12051-H	20lb Red Cabinet H28"XW11"XD9" OD	\$ 60.33
10501-H	5lb White Cabinet H19"xW8'xD6-3/8' OD	\$ 28.40
11001-H	10lb. White Cabinet H23"xW9'xD7' OD	\$ 32.91
12001-H	20lb. White Cabinet H28'xW11'xD9' OD	\$ 62.54

## CATO Replacement Parts

10575C	CATO 5lb Panel 18-3/4" X 7-5/8"	\$ 6.83
11075C	CATO 10lb Panel 22-5/8" X 8-5/8"	\$ 8.90
12075C	CATO 20lb Panel 27-3/4" X 10-5/8"	\$ 11.55
10555	5lb Red Frame Replacement (Available in White-call for price)	\$ 10.61
11055	10lb Red Frame Replacement (Available in White-call for price)	\$ 11.09
12055	20lb Red Frame Replacement (Available in White-call for price)	\$ 14.21
CL-415	CATO "Break Panel" Label	\$ 0.36
10011R/W	Cato Replacement Hammer (red or white)	\$ 5.89
10300	Black Replacement Extinguisher Tray	\$ 0.54



WARNING: Cancer and Reproductive Harm—[www.p65warnings.ca.gov](http://www.p65warnings.ca.gov)

Order a **Custom Cabinet**

Need a custom cabinet? Contact your sales rep for more information!



Delivery available at participating locations!

# Stickers & Signs



Fire Extinguisher Vinyl Sticker Signs		
FSSA412	4"x12", Vinyl Sticker "FE" Arrow	\$ 0.77
FSSA418	4"x18", Vinyl Sticker "FE" Arrow	\$ 0.77
FEI69	6"x9", "FE Inside" Sticker	\$ 0.71
FEI43	3"x5", Red on White "FE Inside"	\$ 0.39
FEI44	4"x4", Striped White/Red "FE Inside"	\$ 0.39
FEIC	6"x2", In case of Fire Break Glass"	\$ 0.36
BL122	5-1/2"x2-1/2", FE Instruction Label	\$ 1.52
Exit/Door Sticker Signs		
BL112	12"x8", "Exit" Sign, Red Background	\$ 5.27
BL137	23" x 1 7/8", Sticker "This Door To Remain Unlocked"	\$ 2.86
BL187	12"x6" Sticker "This Door To Remain Unlocked"	\$ 5.88
Restaurant Hood Signs		
A281	"Hood #1" Aluminum Sign	\$ 12.93
A282	"Hood #2" Aluminum Sign	\$ 12.90
A283	"Hood #3" Aluminum Sign	\$ 13.42
A240	"Test Valve" Aluminum Sign	\$ 3.43
A272	"Remote Pull Station for Hood Fire Suppression System" Aluminum Sign	\$ 11.45
Miscellaneous Fire Alarm/Hose Signs		
BL123	4"x4", "Warning \$500 Fine" Sticker	\$ 1.94
BL131	4"x4", "Warning \$1000 Fine" Sticker	\$ 4.21
BL118	Fire Hose Sign	\$ 7.16
BL119	Fire Alarm Sign	\$ 2.59

Fire Extinguisher Plastic & 3D Signs		
ALUM108	4"x12", Aluminum "FE" Arrow	\$ 4.31
ALUM109	4"x18", Aluminum "FE" Arrow	\$ 5.17
PARROW412	4"x12", Plastic "FE" Arrow	\$ 2.43
PARROW418	4"x18", Plastic "FE" Arrow	\$ 3.71
RP90108	4"x12", 3D 90° "FE" Arrow	\$ 3.71
RP90109	4"x18", 3D 90° "FE" Arrow	\$ 3.69
RPAS182	5"x6", 3D Triangle "FE" Arrow	\$ 4.35
RPAS108	4"x12", 3D "FE" Arrow	\$ 4.28
RPAS109	4"x18", 3D Rigid Plastic Angle	\$ 4.85
K Class Signs		
14669	Amerex Plastic K-Class Sign	\$ 4.81
426021	Ansul Placard (sticker) Sign	\$ 14.53
Sprinkler Signs		
5010290	6"x2", "Main Drain", Aluminum Sign	\$ 1.16
5010355	6"x2", "Test & Drain", Aluminum Sign	\$ 1.16
5010100	6"x2", "Control Valve", Aluminum Sign	\$ 1.00
5010270	6"x2", "Inspectors Test", Aluminum Sign	\$ 1.16

Stickers & Signs



**Delivery available at participating locations!**

# GETZ & Recharge Adapters

GETZ & Recharge Adapters



Ansul & Amerex Adapters		
03181	Hydrotest Adapter - Amerex/Ansul (Water, Water Mist, Wet Chemical & Foam Extinguishers)	\$ 34.58
09492	09492 Fill (Pressurizing) Adapter	\$ 51.26
02141	Fill adapter, Amerex Brass Valve, Hansen Quick Connect Type	\$ 24.19
440623	Recharge Adapter for 2.5-5 lb. SENTRY Fire Extinguisher	\$ 24.27
Strike First Adapter		
FPADAPTOR.78	Strike First HTASF1 Hydrostatic Test Adaptor	\$ 11.50
Getz Adapters		
3G0009	Getz Dry Chemical Adapter Kit	\$ 279.18
1G0025	Coupling Male 1/8 Male X 1/4 QC	\$ 14.26
1G0030	Male Quick Coupler 1/4" X 1/4"	\$ 13.40
3G0244	AD21, Adapter Recharge AD 21	\$ 15.44
3G0242	Adapter, Recharge AD24-Amerex, Badger, Lg	\$ 15.44
3G0243	Adapter, Recharge AD30-Ansul Sentry Lg	\$ 15.44
3G0245	Adapter, Recharge AD22-Ansul Sentry Sm. Old Coarse Thread	\$ 15.44
3G0246	Adaptor, Recharge AD25-Old Style Kidde (Metal)	\$ 15.44
3G0247	Adapter, Recharge AD36-Amerex B270,272,C260,C262	\$ 27.32
3G0241	Recharge Adapter AD23 (Compatible w/ Ansul®, Buckeye, Pyronauts, & Kidde—Large Pro Line Units)	\$ 15.44
3G0240	Adapter, Recharge AD35-Kidde Pro Line	\$ 15.44
GETZ Fill System Parts		
1G51436	Getz Plastic Overflow Jar	\$ 30.89
1G0067	Jar Filter for Getz Hopper	\$ 27.32
1G0015	Toggle Valve 3 Way	\$ 77.22
1G51789	Getz Discharge Screen	\$ 114.05
1G54039	Getz Lid Filter #50 Metal Hopper	\$ 22.75
1G54040	Getz Lid Filter #100/150 Metal Hopper	\$ 20.20
3G0151	Venturi Metal Hopper #50/100/150	\$ 34.45



WARNING: Cancer and Reproductive Harm—[www.p65warnings.ca.gov](http://www.p65warnings.ca.gov)

**Don't see the part you need listed?**

Talk to our sales representative today!



**Delivery available at participating locations!**



# Chemicals

079372



053080



R102 Ansul System		
079372	ANSULEX Low pH Wet Chemical Agent, 3 Gallon	\$ 265.28
079694	ANSULEX Low pH Wet Ch Agent, 1.5 Gallon	\$ 145.45
451410	K CLASS Low PH 1.6 Gallon (6 liter) Recharge Container	\$ 142.90
Kitchen Knight II System		
553176	RL-160, Recharge, 1.6 Gallon	\$ 132.43
551188	RL-300, 3.0 Gallons of Wet Chemical for Recharge	\$ 204.97
Monarch System		
550695	Dry Chemical, 50lb. BC Pail Monarch	\$ 110.88
550696	Dry Chemical, 50lb. ABC Pail Monarch	\$ 269.40
Piranha System		
423320	PRX Liquid Agent, 5 gallon pail (18.9 liter)	\$ 296.83
430182	PRX Liquid Agent, 1.59 gallon pail (6 liter) (for K01-1 Only)	\$ 92.23
Ansul Sentry		
009328	MET-L-X Recharge Chemical (50lb Pail)	\$ 255.43
009329	MET-L-KYL Powder, 50 lb. Pail	\$1,004.69
009334	Lithex dry powder, 45 lb. pail	\$ 262.75
009335	Dry Chemical, Purple-K 50lb Pail	\$ 244.00
009336	Dry Chemical, Plus-Fifty C 50lb Pail	\$ 97.50
053080	Dry Chemical, FORAY 45lb Pail	\$ 184.50
445054	Recharge Tank for Cleanguard+ (FK-5-1-12) (112 lb)	\$2,598.00
Rangeguard & Badger		
120030	RG-1.25G Karbaloy Wet Chemical Recharge	\$ 177.00
120031	RG-2.5G Karbaloy Wet Chemical Recharge	\$ 204.97
120032	RG-4GS Karbaloy Wet Chemical Recharge	\$ 309.75
120033	RG-6G Karbaloy Wet Chemical Recharge	\$ 385.86
25092	Badger K-Class Wet Agent 6 liter	\$ 52.09
Buckeye		
600872	Buckeye 6 Liter Charge Class K	\$ 63.72



**Delivery available at participating locations!**

# Chemicals

530-2



Amerex KP		
12866	3.75 Gallon Pail, Wet Chemical Recharge, KP System, 544	\$ 122.45
16924	2.75 Gallon Pail, Wet Chemical Recharge, KP System, 547	\$ 86.68
27447	2.5 Gallon Pail, Wet Chemical Recharge, KP System, 559	\$ 86.08
17450	4.8 Gallon Pail, Wet Chemical Recharge, KP System, 656	\$ 156.51
15416	6.14 Gallon Pail, Wet Chemical Recharge, KP System, 664	\$ 176.86
Amerex		
506B-2	Amerex 240 Anti Freeze Loaded Stream (pk of 2)	\$ 136.81
515	50lb. Pail, Purple K	\$ 239.00
543	35lb. Pail, Graphite G-Plus	\$ 160.41
545	50lb. Pail, Super D	\$ 238.50
550	50# ABC Pail 2A Rating	\$ 135.35
555	50# ABC Pail 3A Rating	\$ 203.37
530-2	Amerex Class K Recharge Chem. (each)	\$ 48.63
670-2	Amerex De-Ionized Water 1.75 Gallon for B270NM (each)	\$ 23.37
671-2	Amerex De-Ionized Water 2.5 Gallon for B272NM (each)	\$ 23.64



506B-2



515



555



**Delivery available at participating locations!**



# System Parts-ANSUL R102

System Parts Ansul R102



073022

434618



423878



Releases & Actuators		
429850	Actuator, Regulated, R-102	\$ 484.46
429853	ANSUL AUTOMAN Mechanical Reg. Release, R-102	\$ 790.75
429856	Ansul Automan, Electrical Reg. Release, R-102	\$1,064.34
079493	ANSUL AUTOMAN Mechanical Reg. Release, OEM, R-102	\$ 642.54
Tanks, Enclosures, & Brackets		
423744	R-102 Regulated Release Replacement Cover	\$ 75.29
429862	3.0 Gallon (UL/ULC) SS. Tank Assembly	\$ 320.49
429864	1. 5 Gallon (UL/ULC) SS. Tank Assembly	\$ 234.55
429870	Single Tank Enclosure, S.S.	\$ 208.52
429872	Dual Tank Enclosure, S.S.	\$ 265.68
429878	Painted Red Bracket (for use with 3.0 gallon tank)	\$ 125.74
442494	R-102 Double Tank Enclosure Replacement Cover	\$ 75.29
442495	R-102 Single Tank Enclosure Replacement Cover	\$ 49.67
Switches		
423878	Switch, Electric, SPDT	\$ 32.91
423879	Switch, Electric, DPDT	\$ 62.86
423880	Switch, Electric, 3PDT	\$ 95.39
423881	Switch, Electric, 4PDT	\$ 129.29
428311	Alarm Initiating Switch, SPDT	\$ 42.37
436770	Switch, Electric DPDT (without wire leads)	\$ 43.77
437155	Alarm Initiating and Snap Action Switch (without wire leads)	\$ 65.42
438940	Switch Mounting Retro-fit Kit	\$ 19.71
Remote Pull Station		
024915	Break Rod, 10/package (pkg. price)	\$ 14.20
427074	Trim Ring, Aluminum, 10/package	\$ 100.20
434618	Remote Pull Station, Red (without wire rope)	\$ 82.00
435726	Replacement Pull Tabs (10 pack)	\$ 83.20
435960	Remote Pull Station, Red (with 50 ft. wire rope)	\$ 148.61
437244	Remote Pull Station (with 50 ft. wire rope) w/out Block Assembly	\$ 124.17
Cartridges		
029187	Cartridge, Nitrogen, LT-A-101-30	\$ 295.65
005373	Cartridge, Nitrogen, LT-30-R (RHT)	\$ 136.58
007032	Cartridge, Nitrogen, LT-20-R (RHT)	\$ 124.63
073022	Cartridge, Nitrogen, R-102 Double Tank	\$ 295.65
015850	Model 10 Cartridge (CO2)	\$ 100.11
017492	R101-20 Cartridge (CO2)	\$ 147.83
015851	R101-30 Cartridge (CO2)	\$ 184.48

Delivery available at participating locations!



# System Parts-ANSUL R102

443337



## Nozzles & Accessories

423572	Nozzle Swivel Adaptor, 25/package (ea. price)	\$ 26.30
434455	Henny Penny Nozzle Kit	\$ 486.84
443317	Nozzle, 1N, 10/package (ea. price)	\$ 41.23
443319	Nozzle, 1F, 10/package (ea. price)	\$ 47.39
443321	Nozzle, 1/2 N, 10/package (ea. price)	\$ 48.05
443323	Nozzle, 1W, 10/package (ea. price)	\$ 39.58
443325	Nozzle, 2W, 10/package (ea. price)	\$ 39.58
443327	Nozzle, 3N, 10/package (ea. price)	\$ 49.12
443329	Nozzle, 230, 10/package (ea. price)	\$ 40.01
443331	Nozzle, 245 10/package (ea. price)	\$ 40.01
443333	Nozzle, 260, 10/package (ea. price)	\$ 41.07
443335	Nozzle, 290, 10/package (ea. price)	\$ 41.07
443337	Nozzle, 2120, 10/package (ea. price)	\$ 41.07
077695	Blow-Off Cap, Rubber, 50/package (pkg. price)	\$ 132.50
433208	Blow-Off Cap, CB Metal, 10/package (pkg. price)	\$ 155.00
434707	Blow-Off Cap, Metal, CB Metal, Stainless Steel, 10/package (pkg. price)	\$ 194.30
439848	Nozzle O-Ring, 25/package (pkg. price)	\$ 51.50
439861	New Metal Blow-Off Caps 10/package (pkg. price)	\$ 165.10
439866	New Stainless Steel Blow-Off Caps 10/package (pkg. price)	\$ 215.60

077695



426151



## Gas Valves / Shut-Off Equipment

013707	Gas Valve, Electrical, (110V, 60 Hz) 3/4 in.	\$ 282.64
013708	Gas Valve, Electrical, (110V, 60 Hz) 1 in.	\$ 415.09
550360	Gas Valve, Electrical(110V, 60 Hz) 1 1/4 in. Pipe	\$ 424.94
013709	Gas Valve, Electrical, (110V, 60 Hz) 1 1/2 in.	\$ 478.94
013710	Gas Valve, Electrical, (110V, 60 Hz) 2 in.	\$ 675.64
550363	Gas Valve, Electrical, (110V, 60 Hz) 2 1/2 in.	\$1,104.52
017643	Gas Valve, Electrical, (110V, 60 Hz) 3 in.	\$1,409.62
055598	Gas Valve, Mechanical, 3/4 in.	\$ 398.13
055601	Gas Valve, Mechanical, 1 in.	\$ 428.49
055604	Gas Valve, Mechanical, 1 1/4 in.	\$ 452.15
055607	Gas Valve, Mechanical, 1 1/2 in.	\$ 478.16
055610	Gas Valve, Mechanical, 2 in.	\$ 501.02
025937	Gas Valve, Mechanical, 2 1/2 in.	\$1,073.79
426151	Relay, Manual Reset, (120V, 60 Hz)	\$ 221.53
025938	Gas Valve, Mechanical, 3 in.	\$1,178.66
426890	Gas Valve, Conversion Kit (Non-UL).	\$ 53.62
015733	Air Cylinder and Tubing Assembly	\$ 165.17

550593



055698



Delivery available at participating locations!



# System Parts-ANSUL R102

System Parts Ansul R102



Detectors & Pulley Elbows		
024916	Test Link Package, 10/package (pkg. price)	\$ 23.60
435545	Detector, Hook Asm, Stainless Steel, Each	\$ 21.29
435546	Detector, Terminal (Scissor Linkage), Each	\$ 54.80
435547	Detector, Series (Scissor Linkage), Each	\$ 43.77
440495	Detector, Terminal (Scissor Linkage), Package of 10	\$ 508.90
415671	Pulley Elbow, Set Screw Type, 50/package (ea. price)	\$ 13.09
423251	Pulley Elbow, Compression Type, 50/package (ea. price)	\$ 8.00
427929	Pulley Tee, Each	\$ 65.42
K(SL) Style — Fusible Links (Price per each)		
439085	Fusible Link, 165°F K (SL Style) <b>Black</b> (25 per pack)	\$ 4.65
439086	Fusible Link, 212°F K (SL Style) <b>White</b> (25 per pack)	\$ 4.65
439087	Fusible Link, 280°F K (SL Style) <b>Blue</b> (25 per pack)	\$ 4.65
439088	Fusible Link, 360°F K (SL Style) <b>Red</b> (25 per pack)	\$ 4.65
439089	Fusible Link, 450°F K (SL Style) <b>Green</b> (25 per pack)	\$ 4.65
ML(AP-C) Style — Fusible Links (Price per each)		
551522	Fusible Link, 165°F (A-PC Style) (50 per pack)	\$ 5.05
551523	Fusible Link, 212°F (A-PC Style) (50 per pack)	\$ 5.05
551524	Fusible Link, 280°F (A-PC Style) (50 per pack)	\$ 5.05
551525	Fusible Link, 360°F (A-PC Style) (50 per pack)	\$ 5.05
551526	Fusible Link, 450°F (A-PC Style) (50 per pack)	\$ 5.05
551527	Fusible Link, 500°F, (A-PC Style) (50 per pack)	\$ 9.00
Wire Rope		
015821	WR-50 Wire Rope, Stainless Steel, 1/16 in. Dia., 50 feet	\$ 45.13
073910	1/2in EMT Conduit - 10 FT (3 meter length)	\$ 15.16
079653	WR-500 Wire Rope, Stainless Steel, 1/16 in. Dia., 500 feet	\$ 185.00
Actuation Accessories		
031809	Actuation Hose, Swivel, Stainless Braided, 16 in.	\$ 48.49
032335	Actuation Hose, Swivel, Stainless Braided, 20 in.	\$ 52.22
032336	Actuation Hose, Swivel, Stainless Braided, 24 in., 1/4 in. Female	\$ 49.66
430815	Actuation Hose, 42 in., 1/4 in. NPT x 7/16-20 in. F Flare	\$ 46.12



Delivery available at participating locations!



# System Parts-ANSUL R102

System Parts Ansul R102



434347



435979



434525



068800



438031



416018



441041



014995

Flexible Conduit		
434347	Flexible Conduit Insert (50 Pack)	\$ 99.00
434525	Flexible Conduit - 500 ft. (152.4 m) length	\$ 585.00
435959	Flexible Conduit - 500 ft. and Wire Rope - 500 ft.	\$ 741.48
435979	Flexible Conduit Strain Relief (50 Pack)	\$ 342.50
436150	P Clips (50 Pack)	\$ 68.00
439104	Flexible Conduit (Pre-Fed) - 50 ft.	\$ 170.67
079827	Compression Union, Each	\$ 11.03
Spare Parts - R-102 & Piranha		
416970	Bursting Disc Union Assembly (R-102)	\$ 85.94
417911	Bursting Disc, (R-102) 10/package (pkg. price)	\$ 94.20
068800	Vent Plug (R-102)	\$ 23.65
Miscellaneous Accessories		
014985	Lock Bar	\$ 18.91
014995	Cocking Lever (Mechanical/Electrical Automan)	\$ 60.10
026310	Cocking Lever, ANSUL AUTOMAN II-C	\$ 127.32
003923	Cartridge Scale and Hook	\$ 243.84
415139	Multiple Hood Label Package	\$ 143.09
416018	Cocking Lever, Mechanical Gas Valve	\$ 51.44
418511	Hose/Grommet Package	\$ 49.67
079007	Hose Assembly	\$ 28.77
435603	Cocking Lever, Short (Mechanical/Electrical Automan)	\$ 59.32
436063	Conduit, Offset, 6/package (pkg. price)	\$ 147.84
438031	Locking Pin	\$ 11.03
441041	Cocking Lever with Lock Pin (Mechanical/Electrical Automan)	\$ 63.25
441042	Cocking Lever, Short w/Lock Pin	\$ 57.55

**Don't see what you need listed?**  
**Ask us!** We can special order R102 parts.



**Delivery available at participating locations!**

# System Parts-Kitchen Knight II



Cylinders (UL)		
550104	PAC-10 Pneumatic Actuating Cylinder	\$ 593.07
551193	PCL-460 Agent Cylinder Assembly, SB 4.6 Gal.	\$ 873.53
551194	PCL-300 Agent Cylinder Assembly, 3.0 Gal.	\$ 618.47
551196	PCL-600 Agent Cylinder Assembly, 6.0 Gal.	\$1,122.65
551559	PAC-10-PS Pneumatic Actuating Cylinder w/Pressure Switch	\$ 755.67
553163	PCL-160 Agent Cylinder Assembly, 1.6 Gal.	\$ 430.85
Test Tanks		
550901	PCL-600T Empty 6.0 Gallon Test Tank	\$ 700.08
550902	PCL-460T Empty 4.6 Gallon Test Tank	\$ 609.42
551024	PCL-300T Empty 3.0 Gallon Test Tank	\$ 476.58
Control Heads		
550101	NMCH Cover Assembly Replacement	\$ 33.69
550211	Control Head Connector Package	\$ 14.78
550853	MB-P2 Mounting Bracket, Control Head	\$ 53.61
551200	MCH Control Head, Mechanical, with Local Actuation	\$ 432.42
551201	ECH-24 Control Head, Electrical, 24VDC, with Local Actuation	\$ 572.35
551202	ECH-120 Control Head, Electrical, 120VAC, with Local Actuation	\$ 655.93
551203	NMCH Control Head, Mechanical, No Local Actuation	\$ 416.25
551204	NMCH-DPT Control Head w/Switch, Mechanical, No Local Actuation	\$ 497.46
551206	NECH-24V Control Head, Electrical, 24VDC, No Local Actuation	\$ 563.31
551207	NECH-120V Control Head, Electrical, 120VAC, No Local Actuation	\$ 644.49
551594	ECH/SM-120 ECH-120 Control Head and SM-120 - System Circuit Monitor	\$1,032.77
551059	16 Gram Carbon Dioxide Actuation Cartridge, Package of 6 (ea. Price)	\$ 9.54
Brackets, Enclosures, & Straps		
550053	MB-1 Cylinder Mounting Bracket	\$ 104.45
550054	MB-15 Cylinder Mounting Bracket	\$ 94.60
550641	PAC 10 Quick Release Strap	\$ 12.02
550746	MB Bracket Quick Release Strap	\$ 17.14
550966	EN-S Enclosure for Secondary Cylinders	\$ 473.80
551208	EN-MCU Enclosure with Mechanical Control Unit	\$ 700.87
Pull Stations & Accessories		
428661	Break Rod for RPS-E2 Pull Station, 2 in. L x 1/4 in. Dia., Package of 12	\$ 20.68
550088	RPS-MTR Trim Ring for Flush Mounting RPS-M	\$ 23.84
550527	RPS-M Pull Station Back Box (Red)	\$ 25.42
551074	RPS-M Remote Pull Station, Mechanical	\$ 88.30
551166	RPS-E2 Remote Pull Station, Electrical	\$ 87.50



Delivery available at participating locations!

**Pyro-Chem**

# System Parts-Kitchen Knight II

System Parts KKII



437155



552173



550077



550593

## Switches

437155	Alarm Initiating and Snap Action Switch	\$ 65.42
550077	Alarm Initiating Switch	\$ 28.38
550227	MS-SPDT Switch, Single-Pole Double-Throw	\$ 56.97
550230	MS-4PDT-CH Switch, Four-Pole Double-Throw	\$ 238.87
550237	MS-DPDT Switch, Double-Pole Double-Throw	\$ 115.10
550978	MS-4PDT-EN Switch for EN-MCU Units, Four-Pole Double-Throw (Old)	\$ 238.87
551154	MS-SPDT One-Switch Kit (New)	\$ 30.94
551155	MS-DPDT Two-Switch Kit (New)	\$ 60.10
551156	MS-3PDT Three-Switch Kit (New)	\$ 90.66
551157	MS-4PDT Four-Switch Kit (New)	\$ 124.17
552173	Micro Switch Extension Kit	\$ 19.91

## Nozzles & Accessories

423572	Nozzle Swivel Adaptor, 25/package (ea. price)	\$ 26.30
551026	1L Nozzle, Package of 10 (ea. price)	\$ 47.90
551027	2L Nozzle, Package of 10 (ea. price)	\$ 47.90
551028	2H Nozzle, Package of 10 (ea. price)	\$ 47.90
551029	1H Nozzle, Package of 10 (ea. price)	\$ 47.90
551038	2D Nozzle, Package of 10 (ea. price)	\$ 47.90
553389	Henny Penny Nozzle Kit	\$ 425.33
551528	Wet Nozzle Cap, Stainless Steel, Package of 10	\$ 76.70
551529	Wet Nozzle Strainer, Package of 10	\$ 74.60
551530	Wet Nozzle Cap O-Ring, Package of 10	\$ 21.90
550016	Rubber Blow Off Cap, Package of 12	\$ 42.36

## Gas Valves / Shut-Off Equipment

013707	EGVSO-75 Gas Valve, Electrical, (120 VAC, 60 Hz) 3/4 in. Pipe	\$ 282.64
013708	EGVSO-100 Gas Valve, Electrical, (120 VAC, 60 Hz) 1 in. Pipe	\$ 415.09
550360	EGVSO-125 Gas Valve, Electrical, (120 VAC, 60 Hz) 1-1/4 in. Pipe	\$ 424.94
013709	EGVSO-150 Gas Valve, Electrical, (120 VAC, 60 Hz) 1-1/2 in. Pipe	\$ 478.94
013710	EGVSO-200 Gas Valve, Electrical, (120 VAC, 60 Hz) 2 in. Pipe	\$ 675.64
550363	EGVSO-250 Gas Valve, Electrical, (120 VAC, 60 Hz) 2-1/2 in.	\$1,104.51
017643	EGVSO-300 Gas Valve, Electrical, (120 VAC, 60 Hz) 3 in.	\$1,409.62
550593	GV-75 Gas Valve, Mechanical, Direct Cable Hookup, 3/4 in. Pipe	\$ 269.62
550594	GV-100 Gas Valve, Mechanical, Direct Cable Hookup, 1 in. Pipe	\$ 302.34
550595	GV-125 Gas Valve, Mechanical, Direct Cable Hookup, 1-1/4 in. Pipe	\$ 318.89
550596	GV-150 Gas Valve, Mechanical, Direct Cable Hookup, 1-1/2 in. Pipe	\$ 348.08
551049	GV-200 Gas Valve, Mechanical, Direct Cable Hookup, 2 in. Pipe	\$ 397.74
550185	GV-250 Gas Valve, Mechanical, Direct Cable Hookup, 2-1/2 in. Pipe	\$ 894.82
550186	GV-300 Gas Valve, Mechanical, Direct Cable Hookup, 3 in. Pipe	\$ 965.76
550603	GVB Box Assembly, Gas Valve, Red	\$ 51.63

**Pyro-Chem**



Delivery available at participating locations!



# System Parts-Kitchen Knight II



013971



551527



015821



Corner Pulleys & Tee		
415671	SBP-50 Corner Pulley, Set Screw Type, Package of 50 (ea. price)	\$ 13.09
423251	CBP-50 Corner Pulley, Compression Type, Package of 50 (ea. price)	\$ 8.00
427929	TP-1 Tee Pulley	\$ 65.42
Detectors & Accessories		
013971	Detector, Heat, Rate Compensated, 600 deg.F, Vert. (Qty. discount 50+)	\$ 279.08
013974	Detector, Heat, Rate Compensated, 450 deg.F, Vert. (Qty. discount 50+)	\$ 269.23
013975	Detector, Heat, Rate Compensated, 325 deg.F, Vert. (Qty. discount 50+)	\$ 257.01
013976	Detector, Heat, Rate Compensated, 225 deg.F, Vert. (Qty. discount 50+)	\$ 279.09
435545	Detector, Stainless Steel Hook Assembly, Each	\$ 21.29
435546	Detector, Terminal (Scissor Linkage)	\$ 54.80
435547	Detector, Series (Scissor Linkage) Each	\$ 43.77
550876	FLH-25 Hanger, Fusible Link, 25/package	\$ 167.75
K(SL) Style — Fusible Links (Price per each)		
439085	Fusible Link, 165°F K (SL Style) <b>Black</b> (25 per pack)	\$ 4.65
439086	Fusible Link, 212°F K (SL Style) <b>White</b> (25 per pack)	\$ 4.65
439087	Fusible Link, 280°F K (SL Style) <b>Blue</b> (25 per pack)	\$ 4.65
439088	Fusible Link, 360°F K (SL Style) <b>Red</b> (25 per pack)	\$ 4.65
439089	Fusible Link, 450°F K (SL Style) <b>Green</b> (25 per pack)	\$ 4.65
ML(AP-C) Style — Fusible Links (Price per each)		
551522	Fusible Link, 165°F (A-PC Style) (50 per pack)	\$ 5.05
551523	Fusible Link, 212°F (A-PC Style) (50 per pack)	\$ 5.05
551524	Fusible Link, 280°F (A-PC Style) (50 per pack)	\$ 5.05
551525	Fusible Link, 360°F (A-PC Style) (50 per pack)	\$ 5.05
551526	Fusible Link, 450°F (A-PC Style) (50 per pack)	\$ 5.05
551527	Fusible Link, 500°F, (A-PC Style) (50 per pack)	\$ 9.00
Wire Rope & Accessories		
015821	WR-50 Wire Rope, Stainless Steel, 1/16 in. Dia., 50 feet	\$ 45.13
024919	Stop Sleeves, Package of 10	\$ 14.20
550121	SH-100 S-Hooks, Package of 100	\$ 25.23
550122	WC-100, Crimps for 1/16 in. Stainless Steel Wire Rope, Package of 100	\$ 30.74
551550	WC-10SS Crimps, High Temperature, Stainless Steel, Package of 10	\$ 26.20
079653	WR-500 Wire Rope, Stainless Steel, 1/16 in. Dia., 500 feet	\$ 185.00



Delivery available at participating locations!

**Pyro-Chem**

# System Parts-Kitchen Knight II

System Parts KKII



031809



435959



434525



550698



551061

## Actuation Accessories & Cartridges

031809	Braided Hose, 16 in. (41cm)	\$ 48.49
032336	Braided Hose, 24 in. (61cm)	\$ 49.66
417582	Braided Hose, 8 in. (20cm)	\$ 39.41
430815	Braided Hose, 42 in. (107cm) - 1/4 NPTF x 7/16-20 Flare	\$ 46.12
550829	PDA-D2 Pneumatic Discharge Adaptor	\$ 65.39

## Flexible Conduit

434347	Flexible Conduit Insert (50 Pack)	\$ 99.00
434525	Flexible Conduit - 500 ft. (152 m)	\$ 585.00
435959	Flexible Conduit - 500 ft. (152 m) and Wire Rope - 500 ft. (152 m)	\$ 741.48
435979	Flexible Conduit Strain Relief (50 Pack)	\$ 342.50
436150	P Clip (50 Pack)	\$ 68.00
439104	Flexible Conduit Assembly (Pre-Fed) - 50 ft.	\$ 170.67

## Miscellaneous Accessories

434528	115 VAC Horn/Strobe Assembly	\$ 210.49
550735	Recharge Adaptor Kit - Kitchen Knight	\$ 63.25
550788	VT-1 Wet Valve Tool	\$ 46.91
550938	Bleed Down Adaptor Kit	\$ 51.84
551240	PCL-AK Recharge Adaptor Kit KKII	\$ 63.25
552181	Hydrotest Adapter	\$ 60.70
079656	Flushing Concentrate, 12 Bottles/package (ea. price)	\$ 28.52

## Spare Parts

000197	Lead Wire Seal	\$ 1.00
550698	Wet Valve Rebuilding Kit	\$ 46.91
550705	Wet Spring	\$ 6.02
550707	Wet Piston	\$ 13.99
550713	Wet Gauge, 175 psi	\$ 62.07
550714	Wet Valve Cap O-ring	\$ 6.26
550715	Wet Piston O-ring	\$ 6.26
550716	Wet Valve O-ring	\$ 10.24
550831	Wet Valve Cap with Valve Core	\$ 47.88
550958	Control Head Connector Package	\$ 38.83
550985	Pressure Regulator Assembly	\$ 50.45
551061	Pressure Regulator Rebuild Kit	\$ 19.50
551175	Complete Wet Valve Assembly	\$ 200.25
551236	Wet Gauge, 225 psi	\$ 67.21
055531	Control Head Replacement O-Ring (Not Sold Individually, Pack of 10)	\$ 16.50

**Pyro-Chem**



Delivery available at participating locations!



# System Parts-Monarch



Cylinders		
550388	PCI-15ABC Cylinder with Valve, ABC Agent, 12.5 lb.	\$ 516.15
551654	PCI-17ABC Cylinder with Valve, ABC Agent, 17 lb.	\$ 676.23
550390	PCI-25sABC Cylinder with Valve, ABC Agent, 25 lb.	\$ 676.23
550391	PCI-25sBC Cylinder with Valve, BC Agent, 25 lb.	\$ 676.23
551097	PCI-35ABC Cylinder with Valve, ABC Agent, 35 lb.	\$1,003.42
550392	PCI-50sABC Cylinder with Valve, ABC Agent, 50 lb.	\$1,148.66
550393	PCI-50sBC Cylinder with Valve, BC Agent, 50 lb.	\$1,148.66
551094	PCI-70ABC Cylinder with Valve, ABC Agent, 70 lb.	\$1,349.33
Brackets		
550665	MB-ATD Mounting Bracket, ATD 35/75 Cylinders	\$ 106.19
550053	MB-1 Cylinder Mounting Bracket	\$ 104.45
550054	MB-15 Cylinder Mounting Bracket	\$ 94.60
550324	MB-U8 Floor Mounting Bracket, 8 in. Diameter Cylinders	\$ 62.87
550383	MB-U10 Floor Mounting Bracket, 10 in. Diameter Cylinders	\$ 63.05
550638	MB-U12 Floor Mounting Bracket, 12 in. Diameter Cylinders	\$ 78.09
Control Heads		
550101	NMCH Cover Assembly Replacement	\$ 33.69
550211	Control Head Connector Package	\$ 14.78
550853	MB-P2 Mounting Bracket, Control Head	\$ 53.61
551200	MCH Control Head, Mechanical, with Local Actuation	\$ 432.42
551201	ECH-24 Control Head, Electrical, 24VDC, with Local Actuation	\$ 572.35
551202	ECH-120 Control Head, Electrical, 120VAC, with Local Actuation	\$ 655.93
551203	NMCH Control Head, Mechanical, No Local Actuation	\$ 416.25
551204	NMCH-DPT Control Head w/Switch, Mechanical, No Local Actuation	\$ 497.46
551206	NECH-24V Control Head, Electrical, 24VDC, No Local Actuation	\$ 563.31
551207	NECH-120V Control Head, Electrical, 120VAC, No Local Actuation	\$ 644.49
551594	ECH/SM-120 ECH-120 Control Head and SM-120 - System Circuit Monitor	\$1,032.77
Pull Station & Accessories		
428661	Break Rod for RPS -E2 Pull Station, 2 in. L x 1/4 in. Dia., Package of 12	\$ 20.69
550088	RPS-MTR Trim Ring for Flush Mounting RPS-M	\$ 23.84
550299	RPS-EGR Glass Rods for 270 Series, Pull Station, 2 1/4 in. L x 1/8 in. Dia., Package of 20	\$ 83.96
550527	RPS-M Pull Station Back Box (Red)	\$ 25.42
551074	RPS-M Remote Pull Station, Mechanical	\$ 88.30
551166	RPS-E2 Remote Pull Station, Electrical	\$ 87.50
551709	RPS-MGR Glass Rods for RPS-M, Package of 20	\$ 47.60

Delivery available at participating locations!

**Pyro-Chem**

# System Parts-Monarch

System Parts Monarch



## Switches

550052	PS-SPDT-XP Pressure Switch, Explosion Proof, Single-Pole Double-Throw	\$2,160.67
550077	Alarm Initiating Switch	\$ 28.38
550227	MS-SPDT Switch, Single-Pole Double-Throw	\$ 56.97
550230	MS-4PDT-CH Switch, Four-Pole Double-Throw	\$ 238.87
550237	MS-DPDT Switch, Double-Pole Double-Throw	\$ 115.10
551154	MS-SPDT One-Switch Kit (New)	\$ 30.94
551155	MS-DPDT Two-Switch Kit (New)	\$ 60.10
551156	MS-3PDT Three-Switch Kit (New)	\$ 90.66
551157	MS-4PDT Four-Switch Kit (New)	\$ 124.17
552173	Micro Switch Extension Kit	\$ 19.91

## Nozzles & Accessories

550337	N-TS Nozzle with Cap, Local Application, Tankside	\$ 73.60
550342	N-LA-BC Nozzle with Cap, BC Local Application, Overhead	\$ 225.28
550646	N-LA-ABC Nozzle with Cap, ABC Local Application, Overhead	\$ 77.11
551098	N-SCR Nozzle with Cap, Screening, Open Face Paint Booth	\$ 73.60
551099	N-OTF Nozzle with Cap, Work Area Flooding, Open Face Paint Booth	\$ 73.60
551100	N-PLU Nozzle with Cap, Plenum, Open Face Paint Booth	\$ 73.60
551101	N-DCT Nozzle with Cap, Exhaust Duct, Open Face and Vehicle Paint Booth	\$ 73.60
551650	NV-WA Nozzle with Cap, Work Area, Vehicle Paint Booth	\$ 73.60
551651	NV-UF Nozzle with Cap, Under Floor Plenum Area, Vehicle Paint Booth	\$ 73.60
551652	NV-P1 Nozzle with Cap, Overhead Plenum Area, Vehicle Paint Booth	\$ 73.60
551653	NV-DP2 Nozzle with Cap, Exhaust Duct/End Plenum Area, Vehicle Paint Booth	\$ 73.60
551678	NF-ABC Nozzle with Cap, Total Flooding	\$ 73.60
552175	NV-SW Nozzle with Cap, Work Area, Vehicle Paint Booth	\$ 73.60

## Actuation Accessories & Cartridges

031809	Braided Hose, 16 (41cm)	\$ 48.49
031810	Male Elbow, 7/16-20 x 1/4 NPT	\$ 12.01
031811	Male Tee, 7/16-20 x 1/4 NPT	\$ 14.78
032336	Braided Hose, 24 (61cm)	\$ 49.66
032338	Male Straight Connector, 7/16-20 x 1/4 NPT	\$ 5.40
417582	Braided Hose, 8 (20cm)	\$ 39.41
430815	Braided Hose, 42 (107cm) - 1/4 MNPTF x 7/16-20 F Flare	\$ 46.12
550104	PAC-10 Pneumatic Actuating Cylinder	\$ 593.07
550690	PAC-200 Pneumatic Actuating Cylinder	\$ 752.76
551059	16 Gram Carbon Dioxide Actuation Cartridge, Each	\$ 9.54
551559	PAC-10-PS Pneumatic Actuating Cylinder w/Pressure Switch	\$ 755.67
551561	PAC-200-PS Pneumatic Actuating Cylinder w/Pressure Switch	\$ 943.68

**Pyro-Chem**



Delivery available at participating locations!



# System Parts-Monarch

System Parts Monarch

550360



550185



551550



550603



550122



## Gas Valves / Shut-Off Equipment

013707	EGVSO-75 Gas Valve, Electrical, (120 VAC, 60 Hz) 3/4 Pipe	\$ 282.64
013708	EGVSO-100 Gas Valve, Electrical, (120 VAC, 60 Hz) 1 Pipe	\$ 415.09
550360	EGVSO-125 Gas Valve, Electrical, (120 VAC, 60 Hz) 1-1/4 Pipe	\$ 424.94
013709	EGVSO-150 Gas Valve, Electrical, (120 VAC, 60 Hz) 1-1/2Pipe	\$ 478.94
013710	EGVSO-200 Gas Valve, Electrical, (120 VAC, 60 Hz) 2Pipe	\$ 675.64
550363	EGVSO-250 Gas Valve, Electrical, (120 VAC, 60 Hz) 2-1/2	\$1,104.51
017643	EGVSO-300 Gas Valve, Electrical, (120 VAC, 60 Hz) 3 Pipe	\$1,409.62
550593	GV-75 Gas Valve, Mechanical, Direct Cable Hookup, 3/4Pipe	\$ 269.62
550594	GV-100 Gas Valve, Mechanical, Direct Cable Hookup, 1 Pipe	\$ 302.34
550595	GV-125 Gas Valve, Mechanical, Direct Cable Hookup, 1-1/4-Pipe	\$ 318.89
550596	GV-150 Gas Valve, Mechanical, Direct Cable Hookup, 1-1/2- Pipe	\$ 348.08
551049	GV-200 Gas Valve, Mechanical, Direct Cable Hookup, 2-Pipe	\$ 397.74
550185	GV-250 Gas Valve, Mechanical, Direct Cable Hookup, 2-1/2Pipe	\$ 894.82
550186	GV-300 Gas Valve, Mechanical, Direct Cable Hookup, 3 in. Pipe	\$ 965.76
550603	GVB Box Assembly, Gas Valve, Red	\$ 51.63

## Wire Rope & Accessories

015821	WR-50 Wire Rope, Stainless Steel, 1/16 Dia., 50 feet	\$ 45.13
024919	Stop Sleeves, Package of 10	\$ 14.20
550121	SH-100 S-Hooks, Package of 100	\$ 25.23
550122	WC-100, Crimps for 1/16 Stainless Steel Wire Rope, Package of 100	\$ 30.74
551550	WC-10SS Crimps, High Temperature, Stainless Steel, Package of 10	\$ 26.20
079653	WR-500 Wire Rope, Stainless Steel, 1/16 Dia., 500 feet	\$ 185.00

## Alarm Bells

024751	BAC-612 Bell, 120 VAC	\$ 142.69
--------	-----------------------	-----------

## Circuit Monitor

550302	SM-120 System Circuit Monitor, 120VAC	\$ 460.81
550303	SM-24 System Circuit Monitor, 24VDC	\$ 377.63
434347	Flexible Conduit Insert (50 Pack)	\$ 99.00
434525	Flexible Conduit - 500 ft. (152 m)	\$ 585.00
435959	Flexible Conduit - 500 ft. (152 m) and Wire Rope - 500 ft. (152 m)	\$ 741.48
435979	Flexible Conduit Strain Relief (50 Pack)	\$ 342.50
436063	Conduit Offset, Package of 6	\$ 147.84
436150	P Clip (50 Pack)	\$ 68.00
439104	Flexible Conduit Assembly (Pre-Fed) - 50 ft.	\$ 170.67
079827	Compression Union, 1/2 in.	\$ 11.03
415671	SBP-50 Corner Pulley, Set Screw Type, Package of 50 (ea. price)	\$ 13.09



Delivery available at participating locations!

**Pyro-Chem**

# System Parts-Monarch

System Parts Monarch



Detectors & Accessories		
013971	Detector, Heat, Rate Compensated, 600 deg.F, Vert. (Qty. discount 50+)	\$ 279.08
013974	Detector, Heat, Rate Compensated, 450 deg.F, Vert. (Qty. discount 50+)	\$ 269.23
013975	Detector, Heat, Rate Compensated, 325 deg.F, Vert. (Qty. discount 50+)	\$ 257.01
013976	Detector, Heat, Rate Compensated, 225 deg.F, Vert. (Qty. discount 50+)	\$ 279.08
435545	Detector, Stainless Steel Hook Assembly, Each	\$ 21.29
435546	Detector, Terminal (Scissor Linkage)	\$ 54.80
435547	Detector, Series (Scissor Linkage) Each	\$ 43.77



K(SL) Style — Fusible Links (Price per each)		
439085	Fusible Link, 165°F K (SL Style) <b>Black</b> (50 per pack)	\$ 4.65
439086	Fusible Link, 212°F K (SL Style) <b>White</b> (50 per pack)	\$ 4.65
439087	Fusible Link, 280°F K (SL Style) <b>Blue</b> (50 per pack)	\$ 4.65
439088	Fusible Link, 360°F K (SL Style) <b>Red</b> (50 per pack)	\$ 4.65
439089	Fusible Link, 450°F K (SL Style) <b>Green</b> (50 per pack)	\$ 4.65



439089

ML(AP-C) Style — Fusible Links (Price per each)		
551522	Fusible Link, 165°F (A-PC Style) (50 per pack)	\$ 5.05
551523	Fusible Link, 212°F (A-PC Style) (50 per pack)	\$ 5.05
551524	Fusible Link, 280°F (A-PC Style) (50 per pack)	\$ 5.05
551525	Fusible Link, 360°F (A-PC Style) (50 per pack)	\$ 5.05
551526	Fusible Link, 450°F (A-PC Style) (50 per pack)	\$ 5.05
551527	Fusible Link, 500°F, (A-PC Style) (50 per pack)	\$ 9.00



551522

Spare Parts		
550025	Pressure Gauge, 350 psi, Dry Valve	\$ 20.30
550028	O-Ring, Dry Valve Stem	\$ 5.20
550029	O-Ring, Dry Valve Body	\$ 8.58
550037	Rebuilding Kit, Dry Valve	\$ 27.32
550045	Pressure Switch PSS-1	\$ 231.77
550129	Nozzle O-Ring, Industrial (Pack of 10)	\$ 24.80
550130	Recharge Kit, Dry Valve	\$ 54.27
550261	Washer, Dry Valve	\$ 4.02
550333	Nozzle Cap, Industrial	\$ 11.89
550644	Nozzle Cap for N-LA-BC, N-LA-ABC	\$ 9.36
550812	Dry Valve Assembly, Complete	\$ 149.13
055531	Control Head Replacement O-Ring (Not Sold Individually, Pack of 10)	\$ 16.50
417788	Swing Check Valve	\$ 346.10
550829	PDA-D2 Pneumatic Discharge Adaptor	\$ 65.39
551511	TD-10 Time Delay, Vehicle Paint Spray Booth	\$ 296.33
551736	Blowdown Adaptor Kit	\$ 87.12



Delivery available at participating locations!

**Pyro-Chem**

# System Parts-Range Guard



Wet Chemical Cylinders		
120001	RG-1.25G Cylinder/Valve Assembly, 4 Flow, 1.3 Gallon	\$ 446.04
120002	RG-2.5G Cylinder/Valve Assembly, 8 Flow, 2.6 Gallon	\$ 500.32
120003	RG-4GS Cylinder/Valve Assembly, 12 Flow, 4 Gallon Short	\$ 594.13
120006	RG-4GM Cylinder/Valve Assembly, 12 Flow, 4 Gallon Medium	\$ 594.13
120005	RG-6G Cylinder/Valve Assembly, 18 Flow, 6 Gallon	\$ 699.15



Wet Chemical Cylinder Mounting Equipment		
9197430	Wall Bracket, 1.3 Gallon Cylinder	\$ 45.43
9197263	Wall Bracket, 2.6 Gallon Cylinder	\$ 46.02
9197415	Wall Bracket, 4 Gallon Short Cylinder	\$ 91.45
9197414	Wall Bracket, 4 Gallon Medium Cylinder	\$ 89.68
100013-001	Shelf Bracket, 6 Gallon & 4 Gallon Medium Cylinder (Requires 87-10010-001 for Floor Mount)	\$ 83.78



Nozzles & Accessories		
120016	ADP (10 pack of 87-120011-001 ADP nozzle)	\$ 359.40
120017	F (10 pack of 87-120012-001 F nozzle)	\$ 359.90
120018	GRW (10 pack of 87-120013-001 GRW nozzle)	\$ 359.40
120019	R (10 pack of 87-120014-001 R nozzle)	\$ 359.90
120020	DM (10 pack of 87-120015-001 DM nozzle))	\$ 409.50
120023	LPF (10 pack of 87-120022-001 LPF nozzle)	\$ 409.50
120025	LPR (10 pack of 87-120024-001 LPR nozzle)	\$ 521.10
120021	Swivel Adapter, 3/8" (each)	\$ 32.45
9197054	Replacement Nozzle Seals (pack of 10)	\$ 65.60
9197290	Replacement Nozzle Disc Cap - NOT for LPR Nozzle, (pack of 10)	\$ 44.40
120026	Replacement LPR Nozzle Disc Cap - LPR Nozzle ONLY (each)	\$ 12.98



UCH Universal Control Head		
120099	UCH Control System	\$ 474.36
120045-001	High Pressure Hose, 7.5" Length (Required for cylinder mounted control head)	\$ 35.99
120045-002	High Pressure Hose, 24" Length	\$ 43.07
120045-003	High Pressure Hose, 60" Length	\$ 61.95
100034-001	Solenoid Kit (Electric Actuator), 24 VDC	\$ 99.71
120039-001	Microswitch Kit, SPDT, solid color pigtails	\$ 21.83
120039-501	Microswitch Kit, SPDT, striped color pigtails	\$ 23.60
120047-001	Microswitch Kit, SPDT, Terminal Type, Alarm / Release	\$ 42.48
120043	Nitrogen System Cartridge (UCH)	\$ 44.84
120044	Nitrogen Test Cartridge (UCH) (not for use with Actuation Delay, Full Discharge or Puff tests)	\$ 28.32
120046-002	UCH Valve Body Rebuild Kit, Includes: (1) Flat Gasket, (1) UCH Piercing Pin with O-Ring, (1) Retaining Ring, (1) Pin/Gasket Service Label	\$ 93.22



# System Parts-Range Guard

System Parts Range Guard



A+ Control Box		
120010	A+ Control Box Assembly, includes: (1) 87-120042-001 SVA, (2) 06-235557-001 CO2 Cartridges, (2) Set screws, (1) Grommet, (1) Cover Label (1) 60-9197142-000 Exhaust Fan Caution Label	\$ 251.93
9197227	Microswitch, SPDT	\$ 42.48
9197228	Microswitch, DPDT	\$ 77.29
235557	CO <sub>2</sub> System/Test Cartridge (A+)	\$ 11.21
100016-001	A+ Set Screw, 25 pack	\$ 71.98
Switches		
9197023	Pressure Switch, SPDT (Fire Department Tie-In)	\$ 225.68
486536	Pressure Switch, 3 Pole Double Throw	\$ 343.93
Mechanical Actuation Components		
120064	Universal Link Detector Housing Kit (UCH or A+) (1) Bracket, (2) Cable Crimp Sleeves, (2) S Hooks	\$ 14.16
804548	Low Profile Link Detector Housing Kit (UCH only), includes: (1) Bracket, (2) 1/2" EMT Connectors (4) Cable Crimp Sleeves, (1) S Hook	\$ 25.37
120110	Remote Manual Release, Combination Pull-to-Trip/Release-to-Trip (UCH or	\$ 102.66
875572	Remote Manual Release, Pull-to-Trip (UCH only)	\$ 66.67
9189412	Pneumatic Release (WET CHEMICAL ONLY)	\$ 332.17
BTBS Series Thermo Bulb Links, Standard Response, Pack of 5		
120091-165	BTBS Std Res Link, 165°F (74°C), Red (5 pack of 87-120090-165)	\$ 27.15
120091-212	BTBS Std Res Link, 212°F (100°C), Green (5 pack of 87-120090-212)	\$ 27.15
120091-286	BTBS Std Res Link, 286°F (141°C), Blue (5 pack of 87-120090-286)	\$ 27.15
120091-360	BTBS Std Res Link, 360°F (182°C), Mauve (5 pack of 87-120090-360)	\$ 27.15
120091-450	BTBS Std Res Link, 450°F (232°C), Black (5 pack of 87-120090-450)	\$ 27.15
120091-500	BTBS Std Res Link, 500°F (260°C), Black (5 pack of 87-120090-500)	\$ 27.15
BTBR Series Thermo Bulb Links, Rapid Response, Pack of 5		
120096-165	BTBR Rapid Res Link, 165°F (74°C), Red (5 pack of 87-120095-165)	\$ 52.55
120096-212	BTBR Rapid Res Link, 212°F (100°C), Green (5 pack of 87-120095-212)	\$ 52.55
120096-286	BTBR Rapid Res Link, 286°F (141°C), Blue (5 pack of 87-120095-286)	\$ 52.55
120096-360	BTBR Rapid Res Link, 360°F (182°C), Mauve (5 pack of 87-120095-360)	\$ 52.55
120096-450	BTBR Rapid Res Link, 450°F (232°C), Black (5 pack of 87-120095-450)	\$ 52.55
120096-500	BTBR Rapid Res Link, 500°F (260°C), Black (5 pack of 87-120095-500)	\$ 52.55
Type A Fusible Link Each		
120060-001	RGA-360 A Link, 360°F (182°C) (each)	\$ 7.08



Delivery available at participating locations!

# System Parts-Range Guard



Common Replacement Parts		
120067	Rebuild Kit - Wet & Dry Chemical Cylinder Valves, includes: (1) Valve Stem with O-Ring (1) Valve Spring, (1) Valve Spring Retainer (1) Retaining Ring Check (1) O-Ring, Valve to Cylinder (WK-566103-270)	\$ 110.92

120009



Cylinder Valve & Maintenance		
120009	Complete Valve Assembly for Range Guard Cylinders	\$ 303.26
118031	Replacement Pressure Gauge for Range Cylinder Valve	\$ 74.93
120068	Solid Plug, Replaces Fusible Plug on all Wet Chemical Valves ONLY	\$ 13.57
235542	Siphon Tube for 1.3 Gallon Cylinder	\$ 52.51
235543	Siphon Tube for 2.6 Gallon Cylinder	\$ 52.51
235544	Siphon Tube for 4 Gallon Short Cylinder	\$ 52.51
236273	Siphon Tube for 4 Gallon Medium Cylinder	\$ 52.51
235546	Siphon Tube for 6 Gallon Cylinder	\$ 52.51
231867	Replacement Label for All Range Guard Cylinders (non UL)	\$ 54.87



**Don't see the parts you need listed?**  
**Ask us!** We can special order any Rangu Guard parts.



**Delivery available at participating locations!**



System Parts Range Guard

# System Parts-Industry Guard Promotion

Dry Chemical Fire Suppression	
	Features
1.	Uses ABC or BC dry chemical agents
2.	UL Listed, FM Approved
3.	Meets NFPA 17 & 33. Tested to UL 1254
4.	Total Flood Coverage
5.	Standard and Rapid Response Detection in Six Different Temperatures
6.	Continuous Readiness in Harsh Environments
7.	Scalable Cylinder Actuation
8.	Remote or Local Activation

## Looking for Industry Guard Products?

Contact us for pricing and availability.



Delivery available at participating locations!

# System Parts-Amerex KP



Tanks		
26948	KP 250 Tank (filled)	\$ 365.88
13334	KP 375 Tank (filled)	\$ 533.91
17379	KP 475 Tank (filled)	\$ 741.29
15196	KP 600 Tank (Filled)	\$1,075.86
Brackets		
18001	Mechanical Release Module, Stainless Steel Enclosure (vent check 10173 required)	\$ 367.30
25697	PRM Backplate Assembly	\$ 678.67
16795	Pneumatic Release Module	\$ 837.40
11977	Mechanical Release Module	\$ 233.62
11978	Stainless Cabinet for KP 250/375 (without 11977 enclosure)	\$ 526.08
16920	KP Mounting Bracket 250, 375, 475 tanks only	\$ 59.62
23184	KP Mounting Bracket 600 tank only	\$ 79.80
Cartridges		
12856	Nitrogen Actuation Cylinder, 10 cubic inches	\$ 123.89
16197	Nitrogen Actuation Cylinder, 28 cubic inches	\$ 223.51
Gas Valve & Accessories		
12740	Gas Trip Assembly	\$ 95.43
12794	Amerex Brass Gas Valve, Mechanical, 2"	\$ 426.66
12793	Amerex Brass Gas Valve, Mechanical, 1 1/2"	\$ 418.60
12792	Amerex Brass Gas Valve, Mechanical, 1 1/4"	\$ 391.36
12791	Amerex Brass Gas Valve, Mechanical, 1"	\$ 349.80
12790	Amerex Brass Gas Valve, Mechanical, 3/4"	\$ 338.45
Nozzles & Accessories		
13729	2XFG W/CAP, Fryer/Griddle (2 flow points), Nozzle, Pack of 10	\$ 198.40
14178	2XR W/CAP, Range/Griddle/Zone Defense Nozzle, Pack of 10	\$ 360.70
16416	1XD W/CAP, Duct Nozzle, Pack of 10	\$ 190.30
11984	0.5X71 W/CAP, Upright Broiler Nozzle, Pack of 10	\$ 248.60
11983	1X55 WITH CAP, Charbroiler/Duct Nozzle, Pack of 10	\$ 240.20
11982	1X38 W/CAP, Appliance Nozzle, Pack of 10	\$ 232.70
16506	PRM End of line fitting	\$ 24.48
10173	Vent Plug (to use with 18001 on actuation line)	\$ 49.09
16440	Nozzle Swivel Adaptor, Pack of 25	\$ 328.50
16853	Nozzle Assy Back Shelf	\$ 58.82
12504	Metal Blow-Off Nozzle Cap, Hi Temp (over 350 °F), Pack of 10	\$ 83.00
12334	Rubber Blow-Off Nozzle Cap, not to exceed 350 °F, Pack of 10	\$ 32.90

System Parts Amerex KP



Delivery available at participating loca-

# System Parts-Amerex KP

System Parts Amerex KP

Detection Tubing		
16557	PRM Detection Tubing, 25'	\$ 126.76
16551	PRM Detection Tubing, 50'	\$ 246.62
16579	PRM Detection Tubing, 100'	\$ 486.39
16552	PRM Detection Tubing, 150'	\$ 685.09
16554	PRM Detection Tubing, 300'	\$1,356.45
Hoses & Switches		
12524	Amerex SPDT	\$ 30.21
18312	Alarm Initiating Snap Action Switch	\$ 13.20
16448	PRM Detection Tube, 32"x1/4" Diameter	\$ 37.09
12854	Actuation Hose 16"x1/4" Diameter	\$ 19.19
25283-03	3' High Pressure Actuation Hose	\$ 83.83
25283-05	5' High Pressure Actuation Hose	\$ 64.30
25283-10	10' High Pressure Actuation Hose	\$ 153.57
25283-15	15' High Pressure Actuation Hose	\$ 48.28
25283-20	20' High Pressure Actuation Hose	\$ 55.60
25283-25	25' High Pressure Actuation Hose	\$ 67.31
20473	Stainless Steel Braided Hose, Supply Branch Line/Hazard Area, 4'	\$ 340.55
Pull Station		
21481	Manual Pull Station Assembly	\$ 68.01
22116	Recess or Surface Mount Manual Pull Station	\$ 67.34
22117	Manual Pull Station	\$ 67.34
Fusible Links		
12326	Fusible Link, 212F K, Pack of 25 (must order pack)	\$ 120.00
12327	Fusible Link, 280F K, Pack of 25 (must order pack)	\$ 118.75
12328	Fusible Link, 360F K, Pack of 25 (must order pack)	\$ 121.00
12329	Fusible Link, 450F K, Pack of 25 (must order pack)	\$ 123.00



Delivery available at participating locations!

# Hood Seals, Adapters & Cutters



172



916



694



899

Quik-Seal Adapters		
899	Adapter 7/8" Hole 3/8" Threaded	\$ 5.95
170	Adapter 1-1/8" Hole 3/8" Threaded	\$ 7.69
171	Adapter 1-1/8" Hole 1/2" Threaded	\$ 9.33
172	Adapter 1-3/8" Hole 3/4" Threaded	\$ 13.79
430	Corner Pulley Adapter (CP5)	\$ 8.84
682	Corner Pulley Adapter (ANSUL/PC)	\$ 8.84
Compression Seals		
301	Comp. Seal 1/2" Tube & 1/4" Pipe	\$ 12.09
302	Comp. Seal 5/8" Tube & 3/8" Pipe	\$ 9.43
303	Comp. Seal 1/2" EMT Conduit	\$ 12.09
304	Compression Seal 1/2" Pipe	\$ 13.19
305	Compression Seal 3/4" Pipe	\$ 17.62
Patch Seals		
916	Patch Seal 7/8" TO 1-1/8"	\$ 7.69
205	Patch Seal 1-1/8" TO 1-3/8"	\$ 7.90
694	Patch Seal 1-5/8" TO 1-7/8"	\$ 23.71
Blind Fitting		
1106	1/2" EMT Blind Fitting	\$ 16.33
1172	5/8" tube 3/8" Pipe Blind Fitting	\$ 16.33
Hole Cutters		
618	1 & 1/8" Annular Hole Cutter for SS	\$ 39.12
622	1 & 3/8" Annular Hole Cutter for SS	\$ 48.37
626	1 & 5/8" Annular Hole Cutter for SS	\$ 52.60
600	Arbor for Use With Hole Saw Bits	\$ 25.28
614	7/8" Annular Hole Cutter for SS	\$ 34.40
Tools & Accessories		
1404	Quick Fastener w/Pilot Bit (Pack of 24)	\$ 27.84
1395	Magnetic Driver Bit	\$ 12.70
388	1-1/2" Ratcheting Wrench	\$ 10.77
705	Cutting Lube Stick	\$ 11.01
Evergreen Hole Cutting Systems Kits		
<b>ALL EHCS kits include the following:</b> Arbor+4" extension, 1/2" stem adapter, Lubricant stick, Speed reducer, Two Pilot Drills, Loosening Washers, Hex-key+ 2 open end wrenches, Clamp & handle, Drill Ring, & Cutters sizes 3/4", 7/8", 1-1/8", 1-3/8", 1-5/8"		
702	EHCS with Milwaukee 1/2" corded 0299-20, 120V, 60Hz, VSR drill motor, and more.	\$ 844.88
1149	EHCS II with DeWalt 1/2" cordless 18 volt XRP model DCD940KX drill motor & more.	\$ 933.11
704	EHCS II <u>without</u> drill motor and items listed ABOVE.	\$ 668.91



Delivery available at participating locations!



# 3/8" Pipe Fittings & Nipples

3/8" Pipe Fittings & Nipples



## 3/8" Pipe Fittings (each price)

Part #	Description	Price Each	Box Qty
3890	3/8" 90° Elbow	\$ 1.11	90
3845	3/8" 45° Elbow	\$ 1.56	90
38S90	3/8" 90° Street Elbow	\$ 1.68	90
38T	3/8" Tee	\$ 1.67	50
38U	3/8" Union	\$ 4.74	40
38C	3/8" Coupling	\$ 1.39	40
1238B	1/2" x 3/8" Bushing	\$ 1.48	10
38P	3/8" Plug	\$ 0.72	25

## 3/8" Pipe Nipples

P3800	3/8" CLOSE	\$ 0.70	25
P3815	3/8" X 1.5"	\$ 0.74	25
P3820	3/8" X 2"	\$ 0.77	25
P3825	3/8" X 2.5"	\$ 0.88	25
P3830	3/8" X 3"	\$ 0.98	25
P3835	3/8" X 3.5"	\$ 1.04	25
P3840	3/8" X 4"	\$ 1.16	25
P3845	3/8" X 4.5"	\$ 1.45	25
P3850	3/8" X 5"	\$ 2.39	25
P3855	3/8" X 5.5"	\$ 1.67	25
P3860	3/8" X 6"	\$ 1.89	25
P3880	3/8" X 8"	\$ 2.23	25
P3810	3/8" X 10"	\$ 2.55	25
P3812	3/8" X 12"	\$ 2.71	25
P3818	3/8" X 18"	\$ 9.92	10
P3824	3/8" X 24"	\$ 10.69	10

## 3/8" Chrome Fittings (each price)

PC3890	Chrome 3/8" 90	\$ 5.62	10
PC38T	Chrome 3/8" Tee	\$ 6.48	10
PC38C	Chrome 3/8" Coupling	\$ 5.23	10
PC38U	Chrome 3/8" Union	\$ 18.67	10
PC3845	Chrome 3/8" 45 Elbows	\$ 6.58	10
PC38S90	Chrome St. 3/8" 90 Elbows	\$ 6.58	10

## Chrome Sleeving & Misc. (each)

38CS6	6ft Chrome Sleeving	\$ 18.39	10
PIPETAPE520	Pipe Thread Tape 1/2' X 520'	\$ 0.52	10
PIPETAPE520HD	520' x 1/2' High Density Pipe Thread Tape	\$ 1.14	10
P38252-7	7ft Stick - 3/8" Schedule 40 Black Pipe	\$ 20.80	1
P38252-10	10ft Stick - 3/8" Schedule 40 Black Pipe	\$ 35.10	1



Delivery available at participating locations!

# Specialty Service Items



CCN-50



SH-12



051606



551265



056972



FSSGC



423556



Delivery available at participating locations!

Test Kits		
056972	R102 Regulator Test Kit	\$ 375.27
079318	Replacement Regulator Kit R-102 (110 PSI)	\$ 240.06
423556	Piranha water Pressure Test Kit	\$ 422.57
Tools		
551265	Nozzle Aiming Device Assembly (No Adaptor)	\$ 258.57
439876	R102 New Nozzle Aiming device Adaptor	\$ 42.76
431186	R102 Old Nozzle Aiming device Adaptor	\$ 44.74
550926	KKII Nozzle Aiming Device Adaptor	\$ 40.21
013133	Cartridge Receiver Wrench Assembly	\$ 98.49
051606	ANSUL Hex Wrench	\$ 7.40
CT116N	Crimping Tool for 1/19" Sleeves	\$ 24.67
PCHEX2.5	Pyro-Chem Control Head 1/2" Cocking Wrench	\$ 5.93
TL910	System Linkage Pliers, Non Locking	\$ 59.36
TL915	System Linkage Pliers, Locking	\$ 95.43
WRC093	Wire Rope Cutters	\$ 22.92
Crimps, Hooks, & Fittings		
CC12	1/2' EMT Compression Coupling	\$ 9.26
CCH	Multi Function Clip Conduit Hanger	\$ 1.53
CCN-50	EMT Comp. fitting 1/2" thread to comp. (Pkg/50)	\$ 48.50
CHQ-50	1/2' EMT Quick Mount Conduit Hanger (Pkg/50)	\$ 58.50
CSOB12	Stand Off Bracket for 1/2" Conduit (pkg/25)	\$ 43.00
CSOB38	Low Profile Stand Off Brackets 3/8" Pipe (pkg/25)	\$ 37.50
OHS-50	EMT 1/2' 1/2 Strap (Pkg/50)	\$ 10.50
SH-12	1/2 S Hook (pkg/100)	\$ 42.48
Pull Station Guards		
APS-BBOX	Back Box for Ansul Remote Pull Station	\$ 3.89
PSG-Round	Pull Station Guard, Round	\$ 11.80
PSG-Square	Pull Station Guard, Square	\$ 11.80
Miscellaneous		
FSSGC	Grease Comb	\$ 7.74



WARNING: Cancer and Reproductive Harm—[www.p65warnings.ca.gov](http://www.p65warnings.ca.gov)

Specialty Service Items

# Fire Hoses & Accessories



Fire Hoses 1.5in (Aluminum)		
FHA1550	1.5in x 50ft. Rack & Reel Fire Hose (SJ) Aluminum Coupling	Call for Pricing
FHA1575	1.5in x 75ft. Rack & Reel Fire Hose (SJ) Aluminum Coupling	Call for Pricing
FHA15100	1.5in x 100ft. Rack & Reel Fire Hose (SJ) Aluminum Coupling	Call for Pricing
Fire Hoses 1.5in (Brass)		
FHB1550	1.5in x 50ft. Rack & Reel Fire Hose (SJ) Brass Coupling	Call for Pricing
FHB1575	1.5in x 75ft. Rack & Reel Fire Hose (SJ) Brass Coupling	Call for Pricing
FHB15100	1.5in x 100ft. Rack & Reel Fire Hose (SJ) Brass Coupling	Call for Pricing
Fog Nozzles		
1575-NST	1-1/2' Polycarbonate Adjustable Fog Nozzle NST (Red Plastic)	Call for Pricing
1675-NST	1 1/2' Forged Bronze Combination Nozzle NST (Copper)	Call for Pricing
Adapters		
FHAH2525	6520037 Fire Hose Adapter Hex 2.5F-NPT x 2.5M-NST (2.5in Adapter for pump/tank)	Call for Pricing
FHRA2515	6520035 Fire Hose Reducing Adapter 2.5' F-NST x 1.5' M-NST Brass (2.5in threaded adapter for 1.5inch Fire Hose) to be used with Fire Hose Adapter FHANPT25FNST25M	Call for Pricing
1515	1 1/2" F x 1 1/2" M Polycarbonate Adaptor (Red) to be used with 1575-NST	Call for Pricing
Hydrant Wrench		
FHW2520	Fire Hydrant Wrench 2.5' Adjustable/ Coupling Wrench 20'	Call for Pricing
Fire Hose Reel Cover		
RE-24	Cover for 24" Fire Hose Diameter Reel	Call for Pricing

Fire Hoses & Accessories



**Delivery available at participating locations!**

# Amerex Dry Chemical

## 1-5 lb. Dry Chemical, Fixed Nozzle, Aluminum Valve

### Models 376, 377, B416, B417T, B410

#	Description	Part No.
1	Modified Valve Assembly without Loop	12699
1	Standard Valve Assembly without loop	27334
2	Hanger loop with Screw	14220
3	Nozzle - 376 (.076 SHORT)	12494
3	Nozzle - B417 (.129)	01926-P
3	Nozzle - B416 (.173P)	03741
3	Nozzle - B410 (.120)	01276-P
3	Nozzle - 377 (.120 5.5°)	27604
4	Ring Pin	00160-P
4	Ring Pin 1 lb. & 2 1/2 lb.	16268
5	Chain (Nylon) for Ring Pin	00532-P
6	Lock Wire Seal (Yellow)	01387-P
7	Lever & Rivet	11825
8	Rivet Only for Lever All Valves	01060-P
9	Lever & River - Modified Valve	02625
10	Gauge - 195 psi	03103-P
10	Gauge - 125 psi for 376	03103-P
11	Handle & Rivet	27611-P
12	Rivet Only for Handle - ALL VALVES	11826
13	Handle & Rivet - MODIFIED VALVE	01064-P
14	Collar O-Ring	09001
15	Valve Stem Assembly	05241-P
16	Spring	06092-P
17	Downtube/Retainer Assembly - 376	06069
17	377	01075
17	425, B416, B410, B417	06212

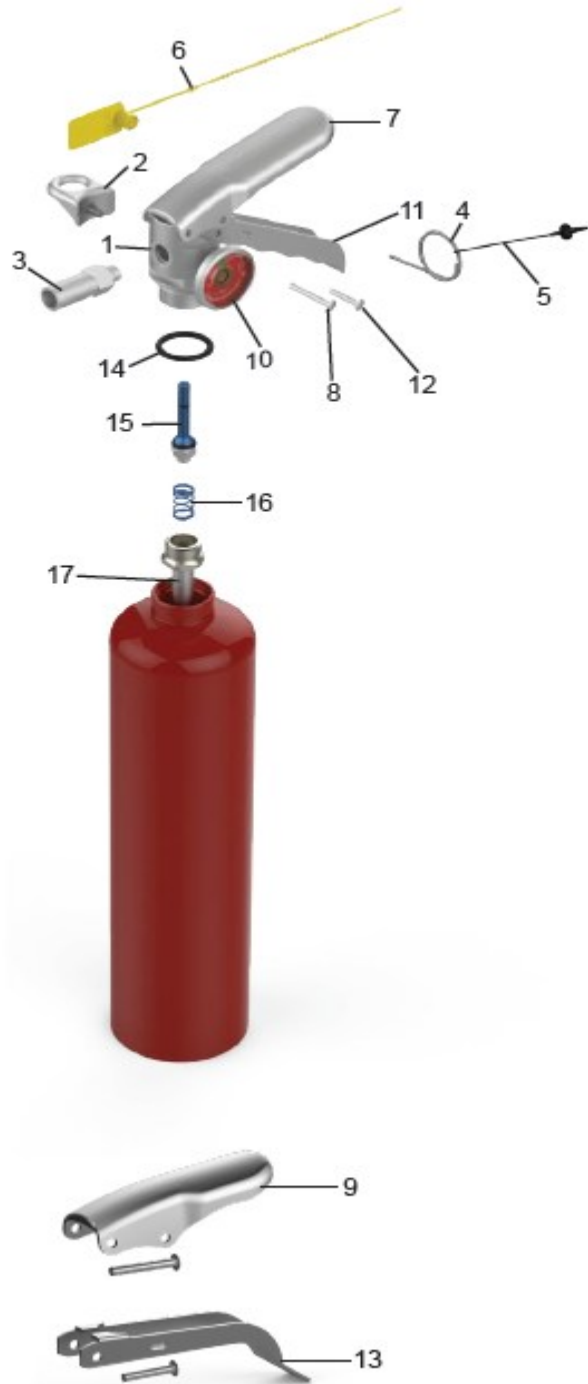


Diagram Amerex



# Amerex Dry Chemical

## 2-20 lb. Dry Chemical, Hose & Horn Aluminum Valve

### Models B402, B500, B479, B443, B456, A411, A413

Diagram Amerex

#	Description	Part No.
1	Standard Valve Assembly-5, 5 1/2, 6 & 10 lb.	11823
	Standard Valve Assembly-20 lb. with loop	11824
2	Hanger Loop with Screw	14220
3	Hose & Horn Assembly - B402 (.157)	14849-P
	Hose & Horn Assembly - B453, B500 (.147)	06215-P
	Hose & Horn Assembly - B479, B443 (.152)	05218
	Hose & Horn Assembly - B456 (.191)	05564-P
	Hose & Horn Assembly - A411 (.209)	11221-P
	Hose & Horn Assembly - A413 (.177)	11223
	Hose & Horn Assembly - ULC B456X (.166)	06541
	Hose & Horn Assembly - ULC A441X (.221)	11658
4	Ring Pin	00160-P
5	Chain (Nylon) for Ring Pin	00532-P
6	Lock Wire Seal (Yellow)	01387-P
7	Lever and Rivet	11825
8	Rivet only for Lever	01060-P
9	Lever & Rivet - MODIFIED VALVE	02625
10	Gauge—195PSI	03103-P
11	Handle & Rivet - 5 to 10 lb.	11826
	Handle & Rivet - 20 lb.	12405
12	Rivet Only for Handle - ALL 5 - 10 lb.	01064-P
	Rivet Only for Handle - 20 LB..	12201-P
13	Handle & Rivet - MODIFIED VALVE	09001
14	Collar O-Ring	05241-P
15	Valve Stem Assembly	06092-P
16	Spring	01074-P
17	Downtube/Retainer Asy - B402, B453, B479,	06212
	B443	03397
	B456	01519
	A411, A413A	11674
18	Strap & Clip Asy (Black Plastic - 3/8" Hose) ALL	15747-P
	Strap & Clip Asy (Black Plastic - 1/2" Hose) ALL	14778-P
19	Protective Ring for Bottom of 20 LB. Cylinder -	12383



# Amerex High Performance & Z-Series

**HP Models: 592, 594, 599, 595, 564, 581, 566, 580, 589, 584, 591, 567, 569**

**Z Series Models: 713, 790m 716, 793, 714, 791, 717, 794, 715, 795, 718, 792, 796**

#	Description	Part No.
1	Valve Assembly - (Female Outlet Thread)	14874
2	Collar O-Ring	05240-P
3	Hose & Horn Assembly - 594, 790 (.213)	14785
3	Hose & Horn Assembly - 595, 793 (.204)	14791
3	Hose & Horn Assembly - 580, 581, 791, 794 (.250)	14788
3	Hose & Horn Assembly - 592, 713 (.166)	14790
3	Hose & Horn Assembly - 599, 716 (.149)	14794
3	Hose & Horn Assembly - 564, 714 (.166)	14787
3	Hose & Horn Assembly - 566, 717 (.157)	14786
3	Hose & Horn Assembly - 567, 569, 584, 792, 795, 796 (.312)	14789-P
3	Hose & Horn Assembly - 589, 715 (.213)	14947
3	Hose & Horn Assembly - 591, 718 (.180)	14948
4	Strap & Clip Assembly (Black Plastic) 1/2" Hose 6kg (13.2 lb.) & 20 lb.	14778-P
4	Strap & Clip Assembly (Black Plastic) 1/2" Hose, 30 lb.	14871-P
5	Ring, Pin Stainless Steel	00160-P
6	Chain (Nylon) for Ring Pin	00532-P
7	Lock Wire Seal (Yellow)	01387-P
8	Hanger Loop with Screw	09584
9	Lever & Rivet - ALL MODELS	09840
10	Rivet Only for Lever	01563-P
11	Handle & Rivets - ALL MODELS	09020
12	Rivets Only for Handle (2 Required)	01564-P
13	Gauge - 240 psi	05225-P
14	Gauge Guard, Chrome Plated Brass	09102-P
15	Valve Stem Assembly	06093-P
16	Spring	00383-P
17	Downtube/Retainer Assembly (13.2 lb)	01700
17	Downtube/Retainer Assembly - 20 lb.	01667
17	Downtube / Retainer Assembly - 30 lb.	09583
18	Protective Foot Ring for Bottom of Cylinder 7" Dia. - 20lb & 6 kg (13.2lb)	12383
18	Protective Foot Ring for Bottom of Cylinder 8" Dia. - 30lb.	12952

#	Description	Part No.
19*	Nameplate 592, 594 (w/o UL & USCG Listing)	23504
19*	Nameplate 595, 599 (w/o UL & USCG Listing)	23505
19*	Nameplate 564, 581 (w/o UL & USCG Listing)	23506
19*	Nameplate 566, 580, 584 (w/o UL & USCG Listing)	23507
19*	Nameplate 567, 589 (w/o UL & USCG Listing)	23509
19*	Nameplate 569,591 (w/o UL & USCG Listing)	23510
20**	Nameplate 713, 790 Z-Series (w/o UL & USCG Listing)	26964
20**	Nameplate 716, 793 Z-Series (w/o UL & USCG Listing)	26967
20**	Nameplate 714, 791 Z-Series (w/o UL & USCG Listing)	26965
20**	Nameplate 717, 794, 795 Z-Series (w/o UL & USCG Listing)	26968
20**	Nameplate 715, 792 Z-Series (w/o UL & USCG Listing)	26966
20**	Nameplate 718, 796 Z-Series (w/o UL & USCG Listing)	26969



Diagram Amerex

# Amerex Halotron

## Models A384, B385, B386, B394, 397, 398

#	Description	Part No.
1	Standard Valve Assembly - 397, 398	14527
2	Mod Valve Assembly - 384	14525
	Standard Valve Assembly - B385, B386 with Loop	14526
	Mod Valve Assembly - B394	17051
	Standard Valve Assembly - B385, B386 with Loop	27336
3	Hanger Loop with Screw - 384, B385, B386, B394	14220
3	Hanger Loop with Screw - 397, 398	16694
4	Hose & Nozzle Assembly - 397 (.247)	14436
4	Hose & Nozzle Assembly - 398 (.295)	14449
5	Nozzle - 384 (.121)	14407
5	Nozzle - B385 (.166)	14408
5	Nozzle - B386, B394 (.277)	14409-P
6	O-Ring Hose Assembly, Brass Valve	06978-P
7	O-Ring, Nozzle - Aluminum Valve	01532-P
8	Ring Pin	00160-P
9	Ring Pin 1 1/4, 2 1/2	16268
10	Chain (Nylon for Ring Pin - ALL)	00532-P
11	Lock Wire Seal (Yellow) - ALL	01387-P
12	Lever & Rivet - All Brass Valve	07762
13	Lever & Rivet - MOD Aluminum Valve	02625
14	Lever & Rivet - Aluminum Valve	11825
15	Rivet Only for Lever - Brass Valve	01563-P
16	Rivet Only for Lever - Aluminum Valve	01060-P
17	Gauge - 125 psi - 384, 397, 398	14418-P
17	Gauge - 100 psi - B385, B386	14417-P
17	Gauge - 150 psi - B394	16332-P
18	Handle & Rivets - 397, 398	09020
19	Handle & Rivet - MOD Aluminum Valve	09001
20	Handle & Rivet - Aluminum Valve	11826
21	Rivet Only for Handle (2 Required) - Brass Valve	01564-P
22	Rivet Only for Handle - Aluminum Valve	01064-P
23	Collar O-Ring (Green) - Brass Valve	13305-P
24	Collar O-Ring (Green) - Aluminum Valve	14268-P
25	Valve Stem Assembly (Green Seal) - Brass Valve	13288-P
26	Valve Stem Assembly (Green Seal) - Aluminum Valve	14327-P
27	Spring - All Aluminum Valve	01074-P

#	Description	Part No.
28	Spring - All Brass Valve	00383-P
29	Downtube/Retainer Assembly - 384	06069
29	Downtube/Retainer Assembly - 385	01075
29	Downtube/Retainer Assembly - B386, B385, B394	24302
29	Downtube/Retainer Assembly - 397, 398	15507
30	Strap & Clip Assembly (Black Plastic) 1/2" Hose 397, 398	14778-P



Diagram Amerex



# Amerex Carbon Dioxide

2 1/2 & 5 lb.

Models 321M, 322, 322NM

#	Description	Part No.
1	Valve Assembly - 322, (Does not include elbow or downtube)	03090-P
2	Safety Disc, Gasket and Nut Assembly - 320, 322	04000-P
2	Safety Disc, Gasket and Nut Assembly - 321M	22895
3	Ring Pin, Stainless Steel - 322	00160-P
3	Ring Pin, Stainless Steel Non-Magnetic - 320NM, 322NM	06901-P
3	Ring Pin, Stainless Steel (Small) - 321M	16268
4	Chain (Nylon) for Ring Pin	00532-P
5	Lock Wire Seal (Yellow) - ALL	01387-P
6	Lever & Rivet - 322	07762
6	Lever & Rivet - 321M	23076
7	Rivet Only for Lever	01563-P
8	Handle & Rivets - 322	0920
8	Handle & Rivets - 321M	23077
9	Rivet Only for Handle (2 Required)	01564-P
10	O-Ring for Elbow	05689-P
11	Elbow with O-Ring	02735-P
12	Discharge Tube - 322	01769-P
12	Discharge Tube - 321M	22582
13	Horn - 322	01772-P
13	Horn - 321M	22400
14	Valve Stem Assembly	01539-P
15	Spring	00501-P
16	Retainer	00503-P
17	Downtube - 322	00533
17	Downtube - 321M	22443
18	Collar O-Ring - 1 1/8"	01124-P



Diagram Amerex



# Amerex Carbon Dioxide

10 lb.- 20 lb.

Models 330, 331, 332

#	Description	Part No.
1	Valve Assembly	26846
2	Safety Disc, Gasket and Nut Assembly	04000-P
3	Ring Pin, Stainless Steel	00160-P
3	Ring Pin, Stainless Steel Non-Magnetic	06901
4	Chain (Nylon) for Ring Pin	00532-P
5	Lock Wire Seal (Yellow) - ALL	01387-P
6	Lever & Rivet	07762
7	Rivet Only for Lever	01563-P
8	Handle & Rivets	09020
9	Rivet Only for Handle (2 Required)	01564-P
10	Hose & Horn Assembly - 330	01782
10	Hose & Horn Assembly - 331, 332	01705-P
11	U-Pin	00594-P
12	Horn - 330	00572-P
12	Horn - 331, 332	00593
13	Valve Stem Assembly	01539-P
14	Spring	00501-P
15	Retainer	00503-P
16	Downtube - 330	00564
16	Downtube - 331, 332	00589
17	Collar O-Ring 1 1/8"	01224-P
18	Strap & Clip - 330, 331	20570-P
18	Strap & Clip - 332	20571-P

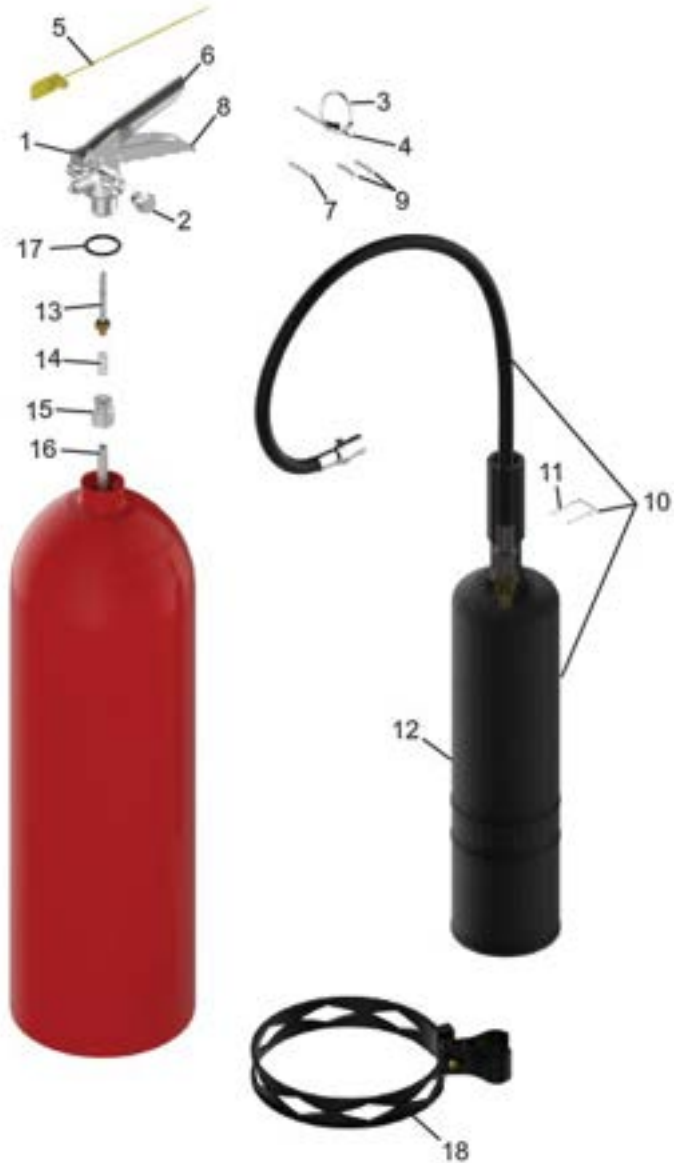


Diagram Amerex



# Amerex Wet Chemical

6 Liter and 2 1/2 gallon

Models B260,C260CG,C260,C260CG, B262, B262CG, C262, C262CG

#	Description	Part No.
1A	Valve Assembly - B260, B260CG, B262, B262CG	14249
1B	Valve Assembly - C260, C262, C260CG, C262CG	14345
2	Hanger Loop with Screw (OPTIONAL)	14380
3A	Hose & Nozzle Assembly - B260, B260CG	16043-P
3A	Hose & Nozzle Assembly - B262, B262CG	16101
3B	Hose & Nozzle Assembly - C260, C260CG, C262, C262CG	27476-P
4	Ring Pin, Stainless Steel	00160-P
5	Chain (Nylon for Ring Pin)	00532-P
6	Lock Wire Seal (Yellow)	01387-P
7	Lever & Rivet - ALL MODELS	007762
8	Rivet Only for Lever	01563-P
9	Handle & Rivets - ALL MODELS	09020
10	Rivets Only for Handle (2 Required)	01564-P
11	Gauge - 100 psi (S/S Tube) and Thread	17420-P
12	Collar O-Ring	05240-P
13	Valve Stem Assembly	14878-P
14	Spring	00383-P
15	Fill Tube Black	02595-P
16	Downtube/Retainer Asy - B260, B260CG, C260, C260CG	16266-P
16	Downtube/Retainer Asy - B262, B262CG, C262, C262CG	16267-P
17	O-Ring Downtube / Retainer	05690-P
18	Foot Stand (Black)	03109-P
19	Strap & Clip Assy (Black Plastic - 3/8")	14776-P
20	Placard (English/Spanish)	14669-P
20	Placard (English/French)	15874
21	O-Ring Hose Assembly - C260, C260CG, C262, C262CG	06978-P



Diagram Amerex

Diagram Amerex

# Amerex Wet Chemical

## 2 1/2 gallon Water & Foam

### Models 240, 250

#	Description	Part No.
1	Valve Assembly - 240 w/ air valve	13281
1	Valve Assembly - 250	17616
2	Hanger Loop with Screw (OPTIONAL ON FOAM)	14380
3	Hose Gasket (O-Ring)	06978-P
4A	Hose & Nozzle Assemble - 240	06999-P
4B	Hose & Aspirated Black Nozzle Assembly - 250	07000-P
5	Pressure Valve & Cap Assembly - 240 Only	00155-P
6	Cap Only for Pressure Valve - 240 Only	00158-P
7	Ring, Pin Stainless Steel	00160-P
8	Chain (Nylon) for Ring Pin	00532-P
9	Lock Wire Seal (Yellow)	01387-P
10	Lever & Rivet - ALL MODELS	07762
11	Rivet Only for Lever	01563-P
12	Handle & Rivets - ALL MODELS	09020
13	Rivets Only for Handle (2 Required)	01564-P
14	Gauge - 100 psi (S/S Tube)	06479-P
15	Collar O-Ring	05240-P
16	Valve Stem Assembly	06093-P
17	Spring	00383-P
18	Fill Tube (Black)	02595-P
19	O-Ring Downtube / Retainer	05690-P
20	Downtube/Retainer Assy - 240,250	15943-P
21	Foot Stand with Clip (Black) - 240	03576-P
21	Foot Stand with Post (Black) - 250	03776

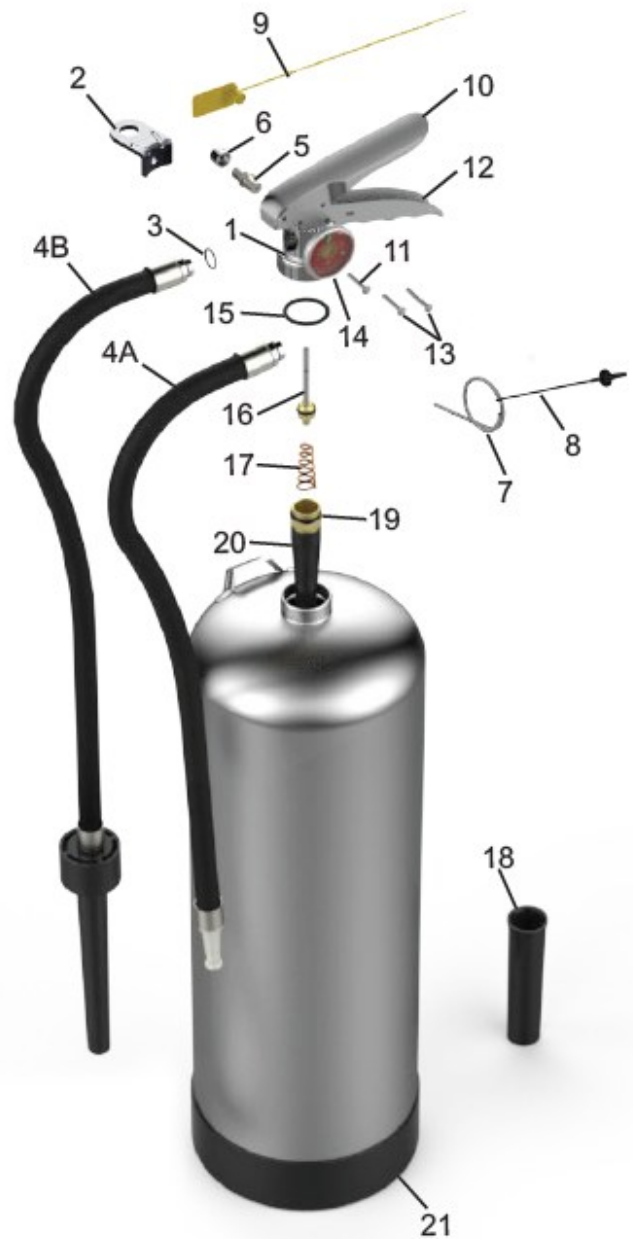


Diagram Amerex



# Redline Model 10-G

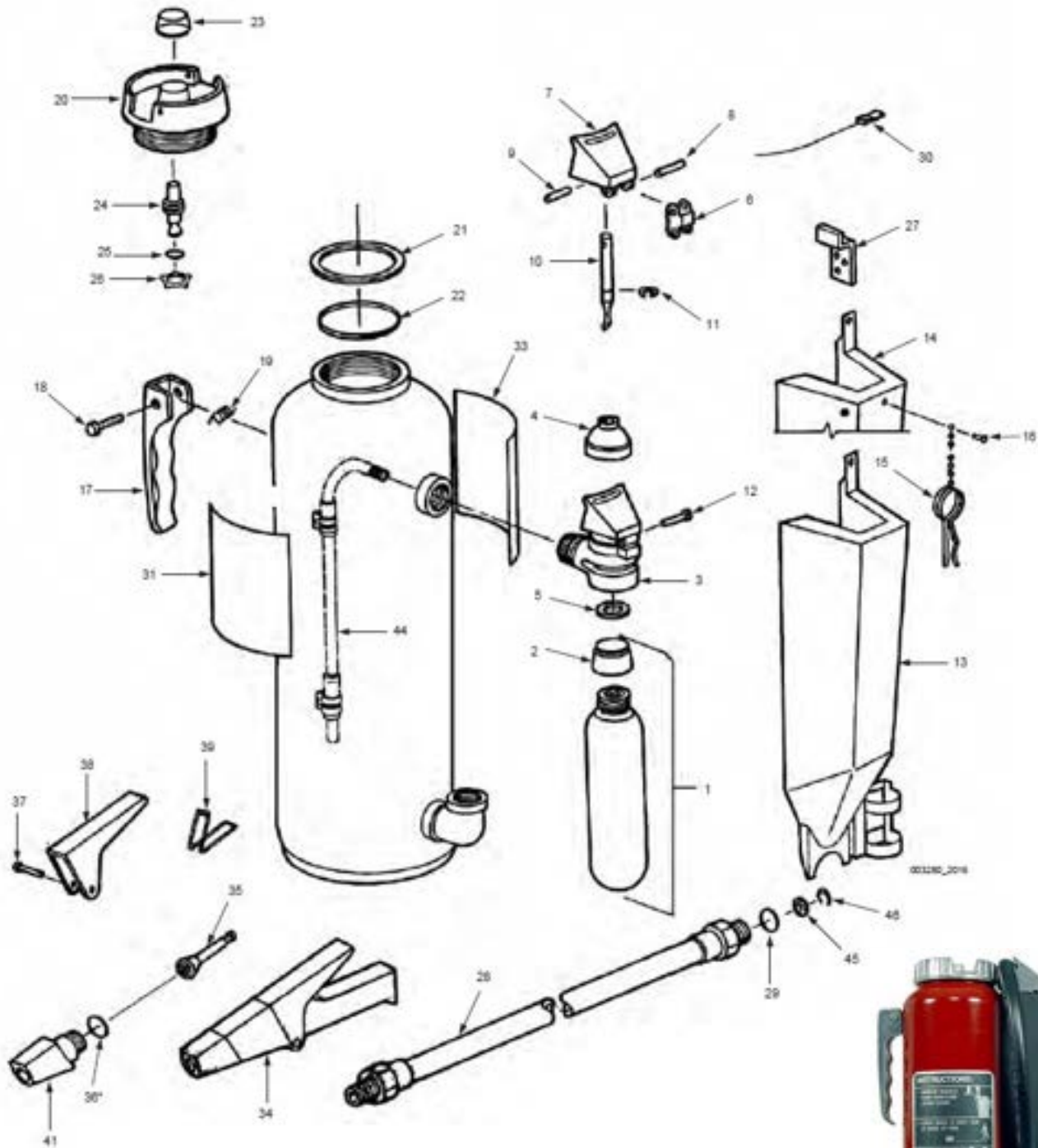


Diagram Ansul Redline



# Redline Model 10-G (continued)

#	Description	Part No.
1	Cartridge w/ Cap, CO2, 10 (LH)	004616
1	Cartridge w/Cap, N2, LT-10 (RH)	013193
2	Cartridge Shipping Cap (LH)	077250
2	Cartridge Shipping Cap (RH)	077251
3	Cartridge Receiver (RH)	001356
3	Cartridge Receiver (LH)	003626
3	Cartridge Receiver, CR (LH)	017913
3	Cartridge Receiver Assembly, CR LT (RH)	024449
4	Cap, Rubber	001057
5	Gasket, Cartridge Receiver	000181
6	Link, Cartridge Receiver	001068
7	Puncture Lever	003628
8	Spring Pin, Link to Puncture Lever	004108
9	Spring Pin, Puncture Lever to Puncture Pin	004109
10	Puncture Pin	025305
11	Retaining Ring	001903
12	Rivet, Link to Cartridge Receiver	006286
13	Cartridge Guard, Composite, Std	418023
13	Cartridge Guard, Composite, LT	418024
14	Ring Pin Cartridge Guard, Composite	418243
14	Ring Pin Guard, Composite, LT-RP-10	428136
15	Ring Pin and Chain Assembly	007095
16	Rivet, RP to Guard	024156
17	Carrying Handle, Std	006169
17	Carrying Handle, CR	017902
18	Carrying Handle Rivet	001265
19	Carrying Handle Spring	002902
20	Fill Cap w/Indicator, Std	017999
20	Fill Cap w/Indicator, CR	422808
20	Fill Cap w/o Indicator, Std	032028
20	Fill Cap w/o Indicator, CR	017903
21	Gasket, Fill Cap	006190
22	Quad Ring, Fill Cap	006273
23	Cap, Plastic	017633
24	Stem, Indicator	027648

#	Description	Part No.
25	Quad Ring	017630
26	Retaining Ring	001239
27	Hanger Hook	003651
28	Hose w/Couplings, Std	013005
28	Hose w/Couplings, CR	077739
29	O-Ring	006263
30	Inspection Seal, Visual	015999
31	"A" Nameplate, Operating, Replacement	069567
31	RP "A" Nameplate, Operating, Replacement	069570
31	"K"/"C" Nameplate, Operating, Replacement	069566
31	RP "K"/"C" Nameplate, Operating, Replacement	069569
33	Nameplate, Maintenance, Replacement, w/o UL	416373
34	Nozzle Assembly, K10, LT-K-10	030787
34	Nozzle Assembly, CR-K-10, CR-LT-K-10	054732
34	Nozzle Assembly, A-10, LT-A-10	031407
34	Nozzle Assembly, CR-A-10, CR-LT-A-10	053470
35	Nozzle Plunger	056117
36	O-Ring, Nozzle Assembly	003469
37	Rivet, Nozzle Handle	003621
38	Handle, Nozzle Assembly, Std	419389
38	Handle, Nozzle Assembly, CR	423461
39	Spring, Nozzle Handle	419422
41	Nozzle tip, K-10	030788
41	Nozzle Tip, A-10	031502
41	Nozzle Tip, 10 PLUS-FIFTY C	056116
44	Gas Tube Assembly	434446
45	Hose Seal (Pkg of 30)	415659
46	Retaining Plug (Pkg of 50)	415855
-	Extinguisher Weather Cover (Not Shown)	067636
-	Hose Inspection Kit (Seal & Retaining Ring)	426687



# Redline Model 20-G

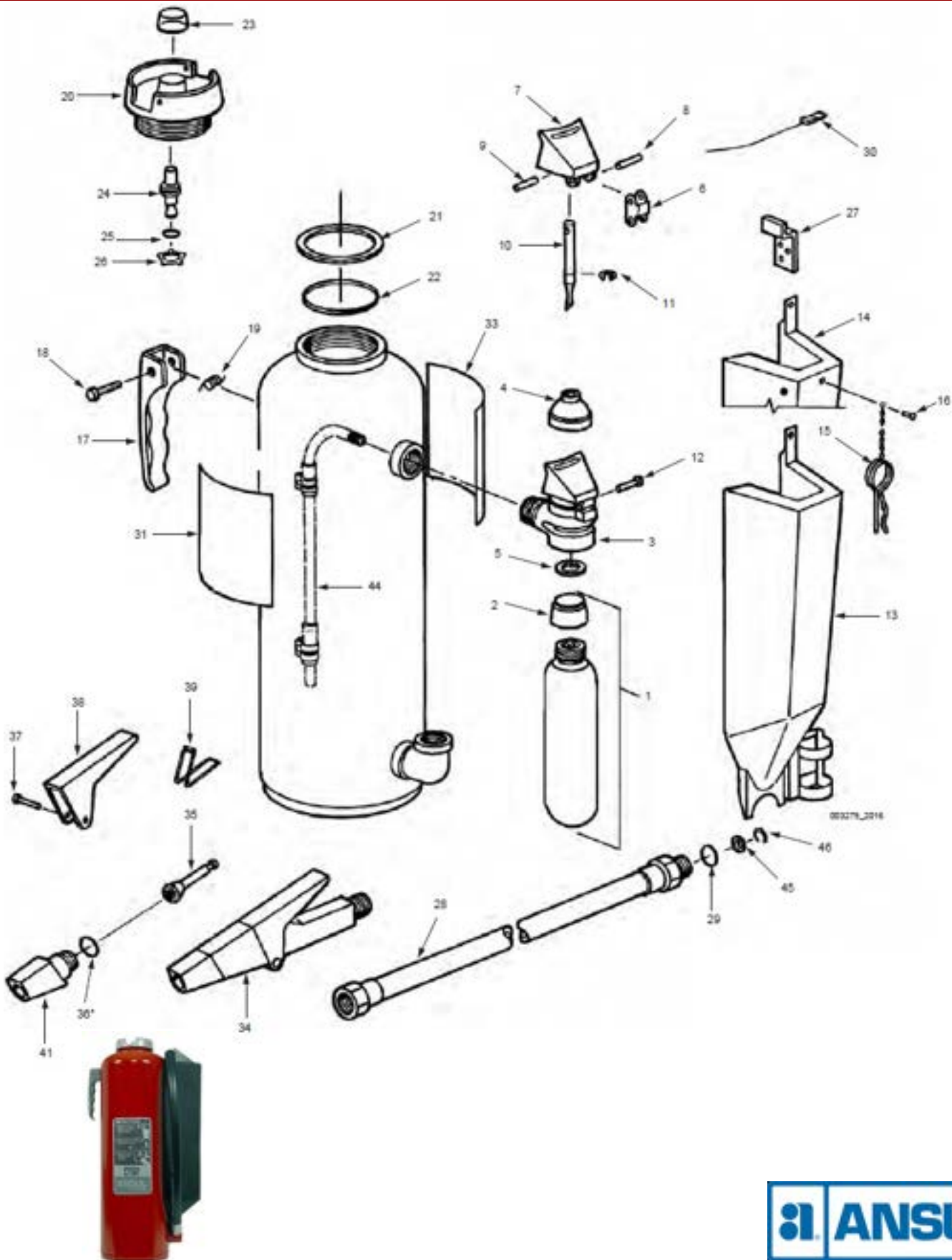


Diagram Ansul Redline



# Redline Model 20-G (continued)

#	Description	Part No.
1	Cartridge w/Cap, CO2, 20 (LH)	004614
1	Cartridge w/Cap, N2, LT-20 (RH)	007032
2	Cartridge Shipping Cap (LH)	077250
2	Cartridge Shipping Cap (RH)	077251
3	Cartridge Receiver (RH)	001356
3	Cartridge Receiver (LH)	003626
3	Cartridge Receiver, CR (LH)	017913
3	Cartridge Receiver Assemble, CR, LT (RH)	024449
4	Cap, Rubber	001057
5	Gasket, Cartridge Receiver	000181
6	Link, Cartridge Receiver	001068
7	Puncture Lever, Std	003628
7	Puncture Lever, CR	017915
8	Spring Pin, Link to Puncture Lever	004108
9	Spring Pin, Puncture Lever to Puncture Pin	004109
10	Puncture Pin	025305
11	Retaining Ring	001903
12	Rivet, Link to Cartridge Receiver	066286
13	Cartridge Guard, Composite, Std	416346
13	Cartridge Guard, Composite, LT	416524
13	Cartridge Guard, Metal	426447
14	Ring Pin Cartridge Guard, Composite	416347
14	Ring Pin Cartridge Guard, Composite, LT-20	428137
14	Ring Pin Cartridge Guard, Metal	426450
15	Ring Pin and Chain Assembly	007095
16	Rivet, RP to Guard	024156
17	Carrying Handle, Std	006169
17	Carrying Handle, CR	017902
18	Carrying Handle Rivet	001265
19	Carrying Handle Spring	002902
20	Fill Cap w/Indicator, Std	017999
20	Fill Cap w/Indicator, CR	422808
21	Gasket, Fill Cap	006190
22	Quad Ring, Fill Cap	006273
23	Cap, Plastic	017633
24	Stem, Indicator	027648

#	Description	Part No.
25	Quad Ring, Fill Cap	017630
26	Retaining Ring	001239
27	Hanger Hook	003651
28	Hose w/Couplings, Std	007091
28	Hose w/Couplings, CR	024459
29	O-Ring	006323
30	Inspection Seal, Visual	015999
31	"A" Nameplate, Operating, Replacement	069567
31	RP "A" Nameplate, Operating, Replacement	069570
31	"K"/"C" Nameplate, Operating, Replacement	069566
31	RP "K"/"C" Nameplate, Operating Replacement	069569
33	Nameplate, Maintenance, Replacement w/o UL	416374
34	Nozzle Assembly 20, LT-20, Std 20	030778
34	Nozzle Assembly 20, HF-A, HF-K	015156
34	Nozzle Assembly CR-20, CR-LT-20	030818
34	Nozzle Assembly K-20, LT-K-20, A-20, LT-A-20	030789
34	Nozzle Assembly CR-K-20, CR-LT-K-20, CR-A-20, CR-LT-A-20	030817
35	Nozzle Plunger Assembly	056117
36	O-Ring, Nozzle Assembly	003469
37	Rivet, Nozzle Handle	003621
38	Handle, Nozzle Assembly, Std	419389
38	Handle, Nozzle Assembly, CR	423461
38	Handle, Nozzle Assembly, HF	426629
39	Spring, Nozzle Handle	419422
41	Tip, Nozzle Assembly, A & K Std	030790
41	Tip, Nozzle Assembly 20, HF-A, HF-K	025780
41	Tip, Nozzle Assembly, PLUS-FIFTY C	030791
44	Gas Tube Assembly	006317
45	Hose Seal (Pkg of 30)	415660
46	Retaining Ring (Pkg of 50)	415856
-	Extinguisher Weather Cover (Not Shown)	067637
-	Gasket Kit (Quad, Flat Gasket, Hose O-Ring)	415877
-	Hose Inspection Kit (Seal, Retainer Clip)	426688



# Redline Model 30-G

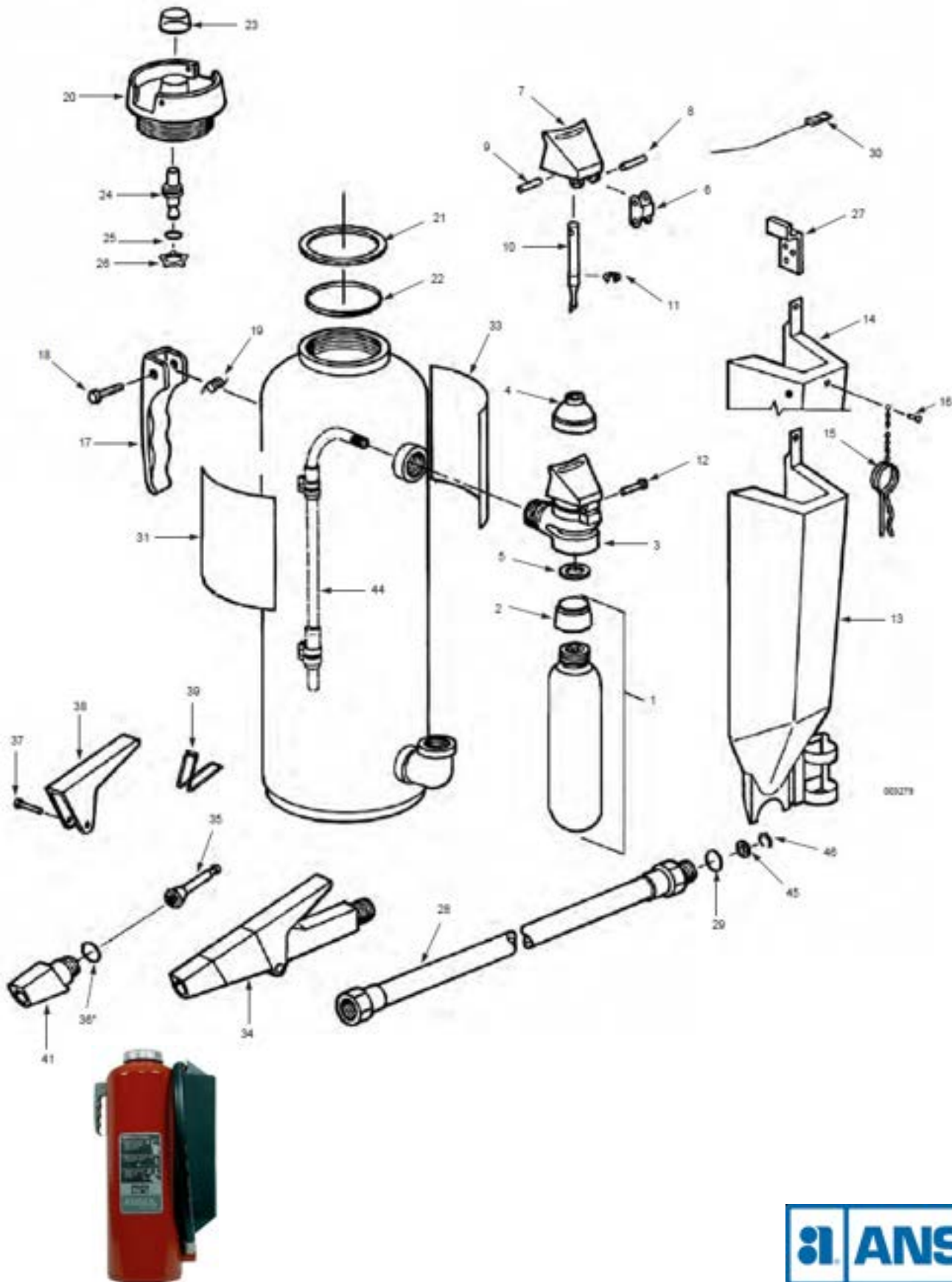


Diagram Ansul Redline



# Redline Model 30-G (continued)

#	Description	Part No.
1	Cartridge w/Cap, CO2, 30 (LH)	004615
1	Cartridge w/Cap, N2, LT-30 (RH)	005373
2	Cartridge Shipping Cap (LH)	077250
2	Cartridge Shipping Cap (RH)	077251
3	Cartridge Receiver (RH)	001356
3	Cartridge Receiver (LH)	003626
3	Cartridge Receiver, CR (LH)	017913
3	Cartridge Receiver Assembly, CR, LT (RH)	002449
4	Cap, Rubber	001057
5	Gasket, Cartridge Receiver	000181
6	Link, Cartridge Receiver	001068
7	Puncture Lever, Std	003628
7	Puncture Lever, CR	017915
8	Spring Pin, Link to Puncture Lever	004108
9	Spring Pin, Puncture Lever to Puncture Pin	004109
10	Puncture Pin	025305
11	Retaining Ring	001903
12	Rivet, Link to Cartridge Receiver	006286
13	Cartridge Guard, Composite	418025
13	Cartridge Guard, Composite, LT	418026
14	Ring Pin Cartridge Guard, Composite	418244
14	Ring Pin Cartridge Guard, Composite, LT-	435256
15	Ring Pin and Chain Assembly	007095
16	Rivet, RP to Guard	024156
17	Carrying handle, Standard	006169
17	Carrying Handle, CR	017902
18	Carrying Handle Rivet	001265
19	Carrying Handle Spring	002902
20	Fill Cap w/Indicator, Standard	017999
20	Fill Cap w/Indicator, CR	422808
21	Gasket, Fill Cap	006190
22	Quad Ring, Fill Cap	006273
23	Cap, Plastic	017633
24	Stem, Indicator	027648
25	Quad Ring	017630
26	Retaining Ring	001239
27	Hanger Hook	003651

#	Description	Part No.
28	Hose w/Couplings, Std	007083
28	Hose w/Couplings, CR	024451
29	O-Ring	006324
30	Inspection Seal, Visual	015999
31	"A" Nameplate, Operating, Replacement	069567
31	RP "A" Nameplate, Operating, Replace-	069570
31	"K"/"C" Nameplate, Operating, Replace-	069566
31	RP "K"/"C" Nameplate, Operating, Re-	069569
33	Nameplate, Maintenance, Replacement	416375
34	Nozzle, Assembly 30, K-30, A-30, LT-30, LT	030778
34	Nozzle Assembly, CR-30, CR-K-30, CR-A-30, CR-LT-30, CR-LT-K-30, CR-LT-A-30	030818
34	Nozzle Assembly 30, HF-A, HF-K	015159
34	Nozzle Assembly, Met-L-X/Lith-X	030464
35	Nozzle Plunger	056117
36	O-Ring, Nozzle Assembly	003469
37	Rivet, Nozzle Handle	003621
38	Handle, Nozzle Assembly, Standard	419389
38	Handle, Nozzle Assembly, CR	423461
38	Handle Nozzle Assembly, HF	426629
39	Spring Nozzl, Handle	419422
41	Nozzle Tip, MX/LX	025799
41	Tip, Nozzle Assembly, LT-K (Pre-2012)	017946
41	Tip Nozzle Assembly, LT-A, MET-L-KYL	017932
41	Tip, Nozzle Assembly 30, HF-A, HF-K	025781
41	Tip, Nozzle Assembly, A & K Std, PLUS-	030791
41	Tip, Nozzle Assembly, MET-L-X, LITH-X	025799
41	Tip, Nozzle Assembly, All SPILL-X	030791
44	Gas Tube Assembly	434620
45	Hose Seal (Pkg of 30)	415661
46	Retaining Ring (Pkg of 50)	415857
-	Extinguisher Weather Cover (Not Shown)	067638
-	Gasket Kit (Quad Ring, Flat Gasket, Hose	415878
-	Hose Inspection Kit (Seal & Retainer Clip)	426689



# Sentry Dry Chemical

## Models A02, A02VB, A02S, A02SVB CO2

#	Description	Part No.
–	Valve Assembly, A02, A02VB, C02VB (with Tube)	N/A
–	Valve Assembly, A02S, A02SVB (with Tube)	436890
1	Valve Body Assembly, A02	N/A
1	Valve body Assembly, A02S	436604
2	Tube, Pick-up, A02	428795
2	Tube, Pick-up, A02S	N/A
3	O-Ring (Pick-up Tube)	076076
4	Valve Stem Assembly	429099
5	O-Ring (Pick-up Tube)	011873
6	Spring	415565
7	O-Ring	428327
8	Gauge, Pressure, A02	056776
8	Gauge, 126 psi, A02S	436610
9	Lever, Operating, A02	429096
9	Lever, A02S (Aluminum)	436607
10	Handle, Carrying, A02	429097
10	Handle, A02S (Aluminum)	436607
11	Rivet, Operating Lever, A02	428130
11	Rivet, A02S	436608
12	Rivet, Carrying Handle	428130
13	Pull Pin (Ring Pin)	434211
13	Pull Pin (Ring Pin), Stainless Steel	436609
14	Seal, Visual Inspection	025940
15	Nozzle Tip Assembly, A02, A02VB, A02S, A02SVB, Aluminum	442405
15	Nozzile Tip Assemble, CO2	428270
16	Hanger Hook, A02, A02S	021873
17	Bracket Assembly, A02VB, A02SVB	024610

#	Description	Part No.
18	Nameplate, Replacement, w/o UL/ULC A02	430852
18	Nameplate, Replacement, w/o UL/ULC A02S	440961
19	Recharge Adaptor, Combination, 02S, 02, 5/10/20	440623
20	O-Ring	057744
21	Tube Adaptor, A02S	436611
21	Tube Adaptor, A02	428124
–	Refill Agent, FORAY	053080

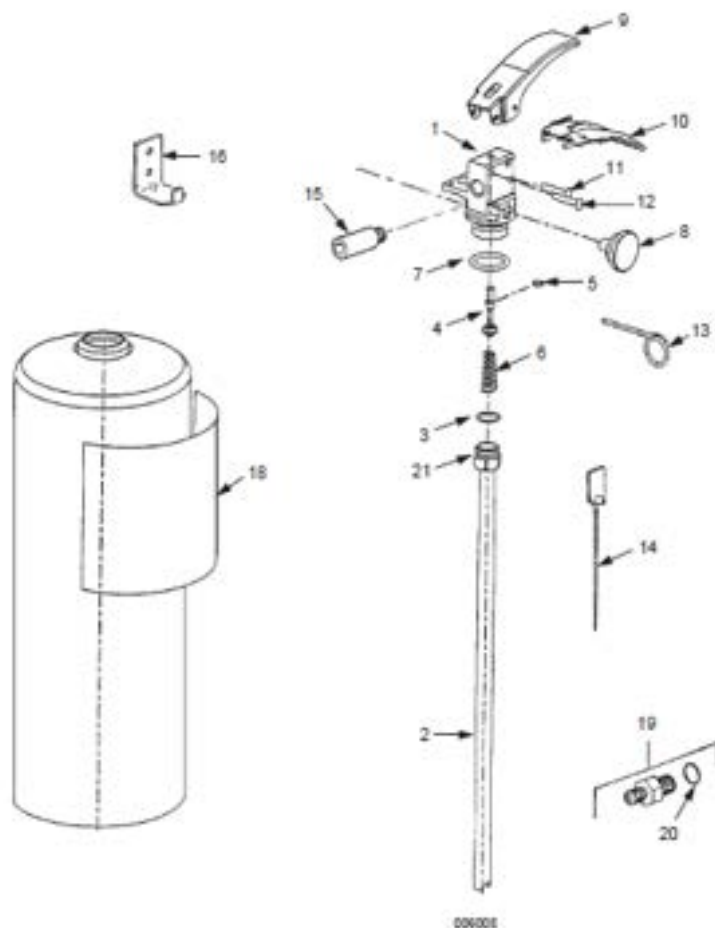


Diagram Ansul Sentry



# Sentry Dry Chemical

**Models A05, A05VB, AA02, AA05VB, AA05-1, AA05-1VB, A05S, A05SVB, AA05S-1, AA05S-1VB, PK05, PK05S, C05**

#	Description	Part No.
–	Valve Assembly	NA
1	Valve Body Assembly	433458
1	Valve Body Assembly, A05S	442365
2	Tube, Pick-up	436842
2	Tube, Pick-up, A05S	442365
3	O-Ring (Pick-up Tube)	76076
4	Valve Stem Assembly	429099
5	O-Ring	011873
6	Spring	415565
7	O-Ring	428327
8	Gauge, Pressure	056776
9	Lever, Operating	429096
10	Handle, Carrying	429097
11	Rivet, Operating Lever	428130
12	Rivet, Carrying Handle	428130
13	Pull Pin (Ring Pin), Large Loop	434211
14	Seal, Visual Inspection	025940
15	Hose & Nozzle Assy, A05, A05VB	428728
15	Hose & Nozzle Assy, AA05, AA05VB	428729
15	Hose & Nozzle Assy, A05S, A05SVB	442350
15	Hose & Nozzle Assy, AA05-1, AA05-1VB	434908
15	Hose & Nozzle Assy, AA05S-1, AA05S-1VB	442354
15	Hose & Nozzle Assy, PK05	428730
15	Hose & Nozzle Assy, PK05S	442351
15	Hose & Nozzle Assy, C05	428731
16	Hanger Hook, AA05, AA05-1, A05, C05, A05S, AA05S-1, PK05, PK05S	054405
17	Bracket Assy (Not Shown), AA05VB, AA05-1VB, A05VB, AA05S-1VB	429146
18	Nameplate, Replacement w/o UL/ULC A05, A05VB	430853
18	Nameplate, Replacement w/o UL/ULC, A05S, A05SVB	442284

#	Description	Part No.
18	Nameplate, Replacement w/o UL/ULC, AA05, AA05VB	430854
18	Nameplate, Replacement w/o UL/ULC AA05S-1, AA05S-1VB	440636
18	Nameplate, Replacement w/o UL/ULC, AA05S-1 AA05S-1VB	440638
19	Adaptor, Recharge Combination	440623
20	O-Ring	057744
21	Hose Retainer	427995
–	Refill Agent, A05, A05VB, A05S, A05SVB	053080
–	Refill Agent, AA05, AA05VB	415788
–	Refill Agent, AA05-1, AA05-1VB, AA05S-1, AA05S-1VB	434906
–	Refill Agent, PK05, PK05S	009335
–	Refill Agent, C05	009336

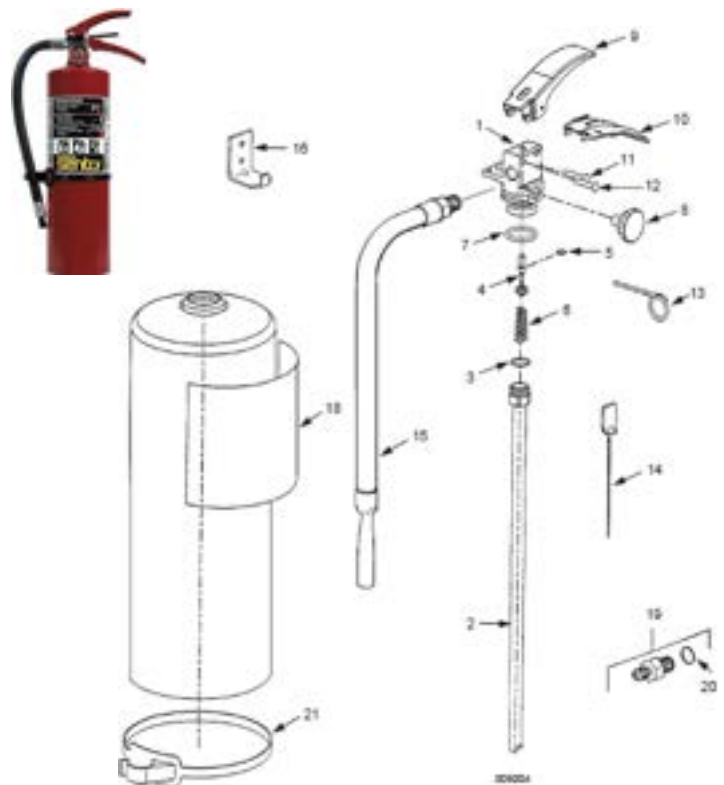


Diagram Ansul Sentry



# Sentry Dry Chemical

**Models A10T, A10H, AA10S, PK10, PK10S, C10, C10S, AA20, AA20-1, PK20, C20**

#	Description	Part No.
-	Valve Assembly, 10S Models (w/tube)	436595
-	Valve Assembly, 10 lb Model except A10T (w/ tube)	429085
-	Valve Assembly, A10T (w/tube)	429086
-	Valve Assembly, 20 lb Models (w/tube)	429087
1	Valve Body Assembly	N/A
2	Tube, Pick-up, A10T	428798
2	Tube, Pick-up, 10S	435953
2	Tube, Pick-up, 20 lb Models	428799
3	O-Ring (Pick-up Tube)	076076
4	Valve Stem Assembly	429099
5	O-Ring	011873
6	Spring	415565
7	O-Ring	428327
8	Gauge, Pressure	056776
9	Lever, Operating	429096
10	Handle, Carrying	429097
11	Rivet, Operating Lever	428130
12	Rivet, Carrying Handle	428130
13	Ring Pin, Large Loop	434211
14	Seal, Visual Inspection	025940
15	Hose & Nozzle Assembly, AA10S	436592
15	Hose & Nozzle Assembly, A10T, A10H, C10, C10S	428732
15	Hose & Nozzle Assembly, PK10, PK10S	428734
15	Hose & Nozzle Assembly, AA20	428736
15	Hose & Nozzle Assembly, PK20	428738
15	Hose & Nozzle Assembly, C20	428740
16	Hose Retainer	427995
17	Hanger Hook (10H)	428223
17	Hanger Hook (10S)	428222
17	Hanger Hook (AA20)	428224
18	Nameplate, Replacement W/o UL/ULC, PK10S	440963

#	Description	Part No.
18	Nameplate, Replacement W/o UL/ULC, PK20	440639
18	Nameplate, Replacement W/o UL/ULC, AA10S	440963
18	Nameplate, Replacement W/o UL/ULC, AA20-1	440964
19	Adaptor Assembly, Recharge	429642
19	Adaptor Assembly, Combination	440623
20	O-Ring (Pick-up Tube)	057744
-	Refill Agent, A10H, A10T	053080
-	Refill Agent, AA10S/AA20	415788

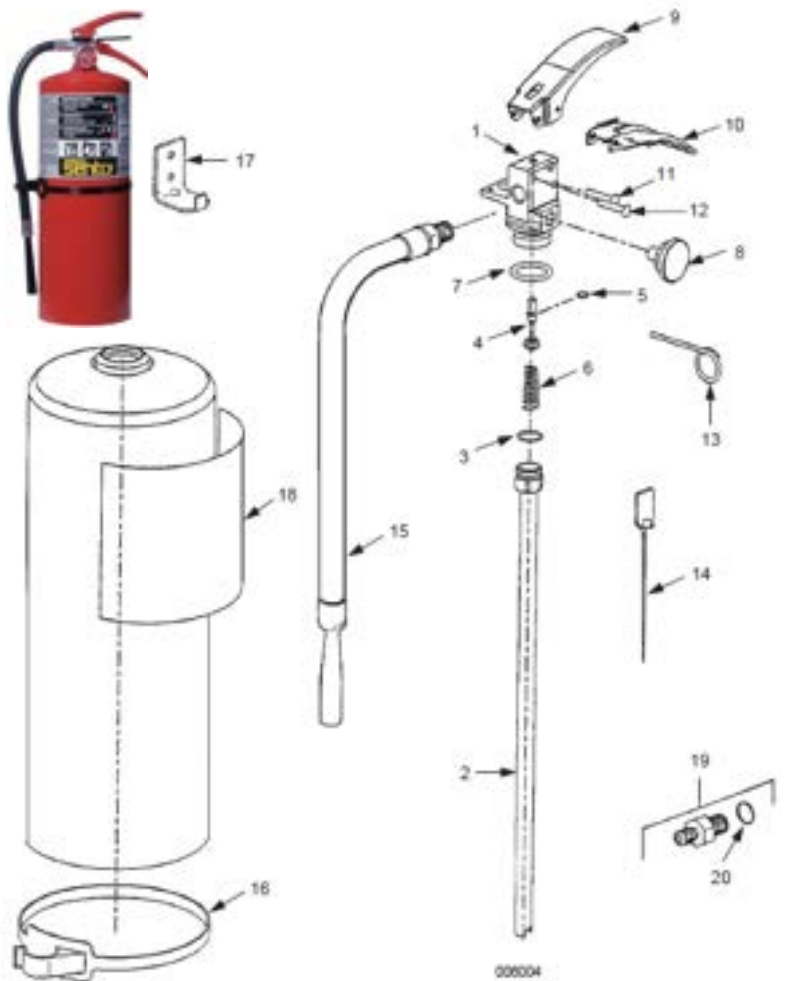
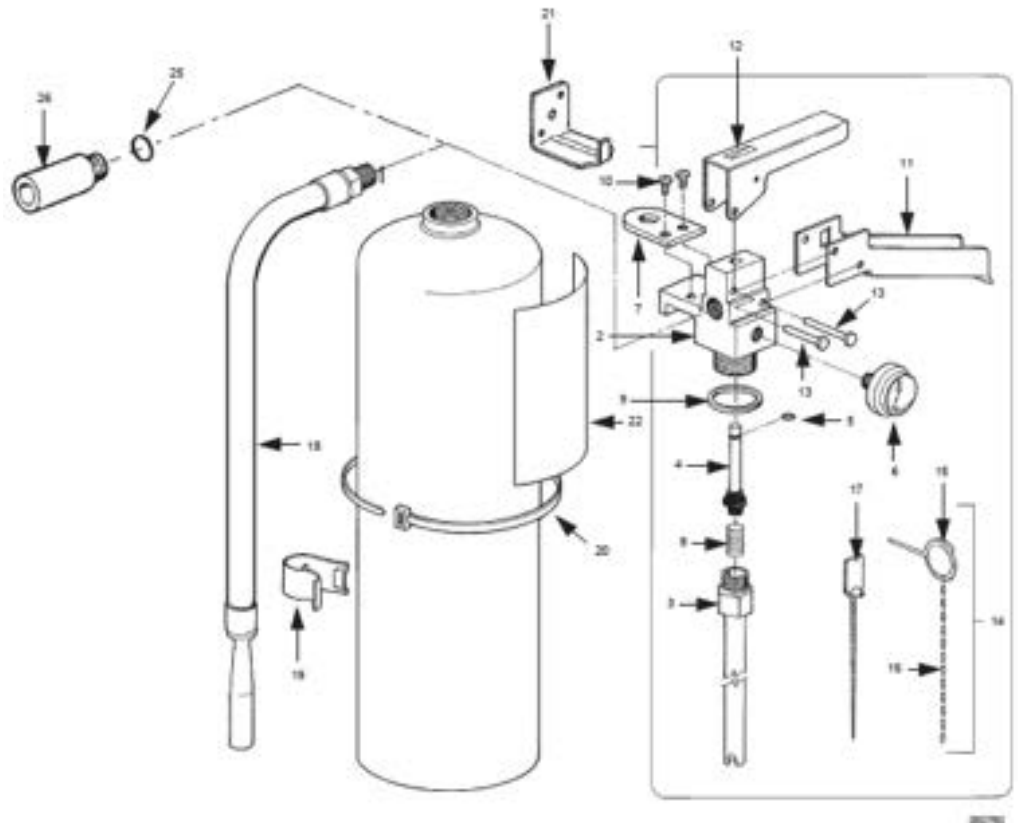
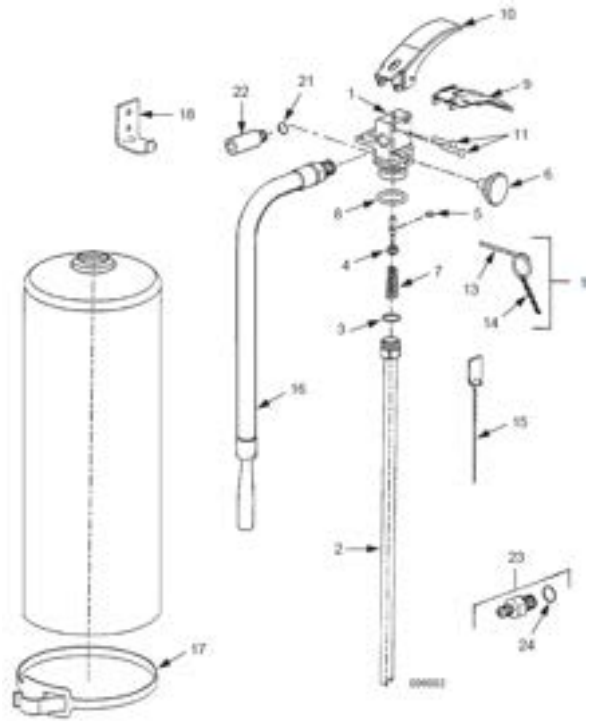


Diagram Ansul Sentry

# Sentry CLEANGUARD

Models FE02VB, FE05, FE05S, FE09, FE13, FE13NM\*



# Sentry CLEANGUARD (continued)

## Models FE02VB, FE05, FE05S, FE09, FE13, FE13NM\*

#	Description	Part No.
-	Valve Assembly, FE02VB	429090
-	Valve Assembly, FE05	429091
-	Valve Assembly FE05S	442366
-	Valve Assembly, FE09	429092
-	Valve Assembly, FE13	429093
1	Valve Body, Anodized	N/A
2	Tube, Pick-up, FE02VB	428795
2	Tube, Pick-up, FE05	428796
2	Tube, Pick-up, FE05S	442367
2	Tube, Pick-up, FE09	428797
2	Tube, Pick-up, FE13	428799
3	O-Ring	076076
4	Valve Stem Assembly (includes O-Ring)	429099
5	O-Ring	011873
6	Gauge, FE02VB, FE05, FE05S	426264
6	Gauge FE09, FE13	428940
7	Spring	415565
8	O-Ring	428327
9	Handle, Finished	429097
10	Push Lever, Finished	429096
11	Rivet (2)	428130
12	Ring Pin/Chain Assembly	016234
13	Ring Pin/Chain Assembly	434211
14	Chain	000507
15	Seal, Visual Inspection	025940
16	Hose & Nozzle Assembly, FE05	428742
16	Hose & Nozzle Assembly, FE05S	442353
16	Hose & Nozzle Assembly, FE09, FE13	428743
17	Hose Retainer, FE05, FE05S, FE09, FE13	427995
18	Hanger Bracket, FE02	021873
18	Hanger Bracket, FE05, FE05S	054405
18	Hanger Bracket, FE09, FE13	428224
19	Replacement Nameplate, FE02VB	429685

#	Description	Part No.
19	Replacement Nameplate, FE05	429686
19	Replacement Nameplate, FE09	429687
19	Replacement Nameplate, FE13	429688
20	Vehicle Bracket (Not Shown)	024610
21	O-Ring	057744
22	Nozzle, FE02	429118
23	Adaptor Assembly, Recharge	429642
24	O-Ring	057744
-	Recharge Tank, 50 lb	422817

### NON-MAGNETIC CLEANGUARD PARTS

#	Description	Part No.
-	Valve Assembly	432896
1	Valve Body, Plated	428434
2	Tube, Pick-up	432897
3	O-Ring	076076
4	Valve Stem Assembly (includes O-Ring)	428431
5	O-Ring	011873
6	Gauge	428940
7	Spring, SS	430004
8	O-Ring	428327
9	Handle, SS	428429
10	Push Lever, SS	428428
11	Rivet (2), Brass	428430
12	Ring Pin/Chain Assembly	432947
13	Ring Pin, SS	429290
14	Chain	000507
15	Seal, Visual Inspection	025940
16	Hose & Nozzle Assembly	432948
17	Hose Retainer	427995
18	Hanger Bracket, SS	432964
19	Nameplate, Replacement w/o UL/ULC	Call



# Sentry CLEANGUARD+

Models CA03VB, CA07, CA13, CA25



CA03VB



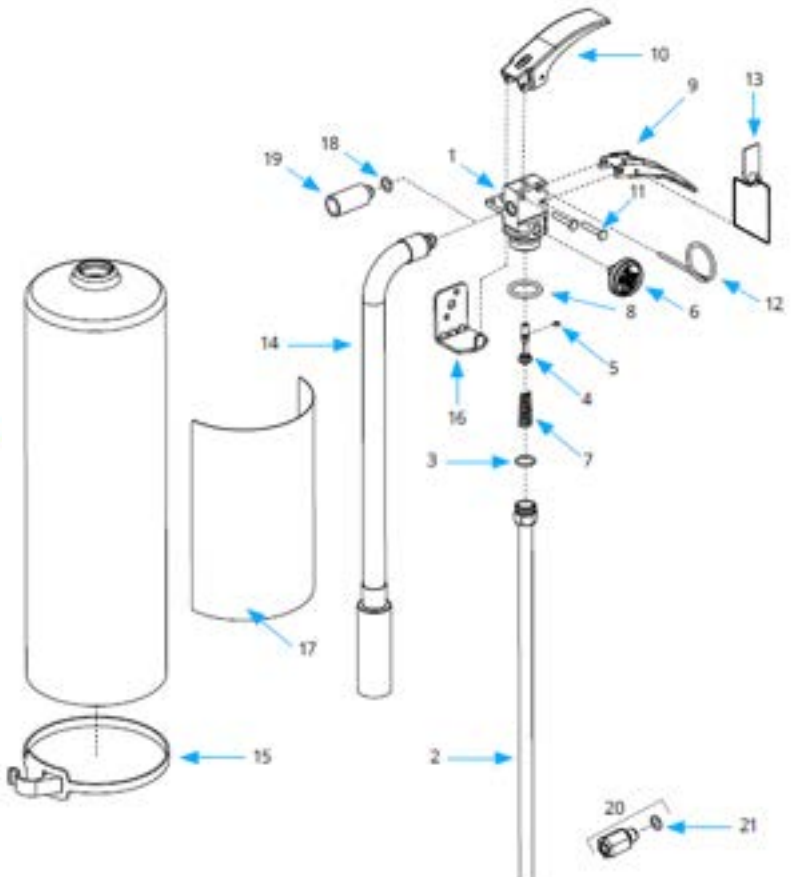
CA07



CA13



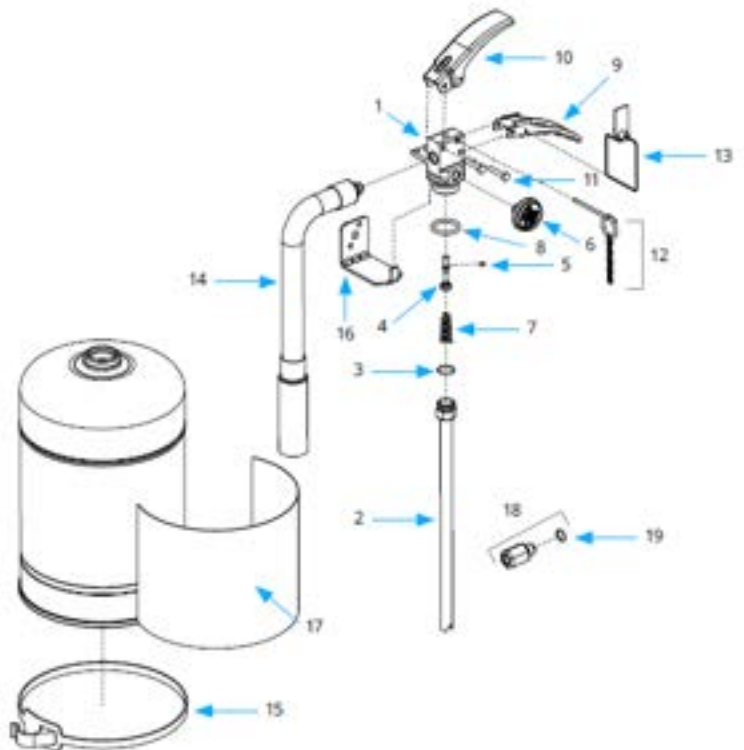
CA25



Model CA14-NM



CA14-NM



# Sentry CLEANGUARD+ (continued)

## Models CA03VB, CA07, CA13, CA25, CA14-NM

#	Description	Part No.
-	Valve Assembly, CA03VB	A16381WU9T
-	Valve Assembly, CA07	A16381WU9V
-	Valve Assembly CA13	A16381WU9W
-	Valve Assembly, CA25	A16381WUA3
1	Valve Body, Anodized	N/A
2	Tube, Pick-up, CA03VB	436841
2	Tube, Pick-up, CA07	442367
2	Tube, Pick-up, CA13	437091
2	Tube, Pick-up, CA25	436845
3	O-Ring #16	076076
4	Valve Stem Assembly (includes O-Ring)	429099
5	O-Ring #06	011873
6	Gauge, CA03VB, CA07, 100 psi	A16381YR9F
6	Gauge, CA13, CA25, 125 psi	A16381YR9E
7	Spring	415565
8	O-Ring #214	428327
9	Handle, Finished	429097
10	Push Lever, Finished	429096
11	Rivet (2)	428130
12	Ring Pin	434211
13	Seal, Visual Inspection	025940
14	Hose & Nozzle Assembly, CA07	443491
14	Hose & Nozzle Assembly, CA13, CA25	443493
15	Hose Retainer	427995
16	Hanger Bracket, CA03	021873
16	Hanger Bracket, CA07	054405
16	Hanger Bracket, CA13, CA25	428224
17	Replacement Nameplate, CA03VB, CA07,	Call
18	O-Ring #13	057744
19	Nozzle, CA03	443485
20	Adaptor Assembly, Recharge	429642
21	O-Ring #13	057744
-	Recharge Tank, 100 lb, FK-5-1-12	445054

CA14-NM—NON-MAGNETIC CLEANGUARD PARTS		
#	Description	Part No.
-	Valve Assembly	A16381WUA0
1	Valve Body, Plated	428434
2	Tube, Pick-up	438787
3	O-Ring #16	076076
4	Valve Stem Assembly (includes O-Ring)	428431
5	O-Ring #06	011873
6	Pressure Gauge 125 psi, FK-5-1-12	A16381YR9E
7	Spring, SS	430004
8	O-Ring #214	428327
9	Handle, SS	428429
10	Push Lever, SS	428428
11	Rivet (2), Brass	428430
12	Ring Pin/Chain Assembly	432947
13	Seal, Visual Inspection	025940
14	Hose & Nozzle Assembly	443494
15	Hose Retainer	427995
16	Hanger Bracket, SS	432964
17	Nameplate, Replacement w/o UL/ULC	Call
18	Adaptor Assembly, recharge	429642
19	O-Ring #13	057744
-	Recharge Tank, 100 lb, FK-5-1-12	445054

Diagram Ansul Sentry



# Sentry Carbon Dioxide

## Models CD05A-1 (Aluminum), CD-05-1 (Steel)

#	Description	Part No.
-	Valve Assembly, CD05A-1	441002
-	Valve Assembly, CD05-1 Steel	441003
1	Valve Body, CD05-1	N/A
2	Lever, Black	441006
2	Lever, Stainless Steel (alternate)	436468
3	Ring Pin	423624
4	Handle, Black	435291
4	Handle, Stainless Steel (alternate)	436469
5	Safety Plug Assembly	429515
6	Handle Rivet	429164
7	Plunger Assembly	441004
8	Spring	415565
9	O-Ring, Valve to Cylinder	429170
10	Pick-Up Tube	079475
11	Nozzle	429185
12	Horn	429184
13	Nylon Washer	429183
14	Swivel Assembly	429173
15	Hanger Hook	079356
-	Nameplate, Replacement w/o UL	Call

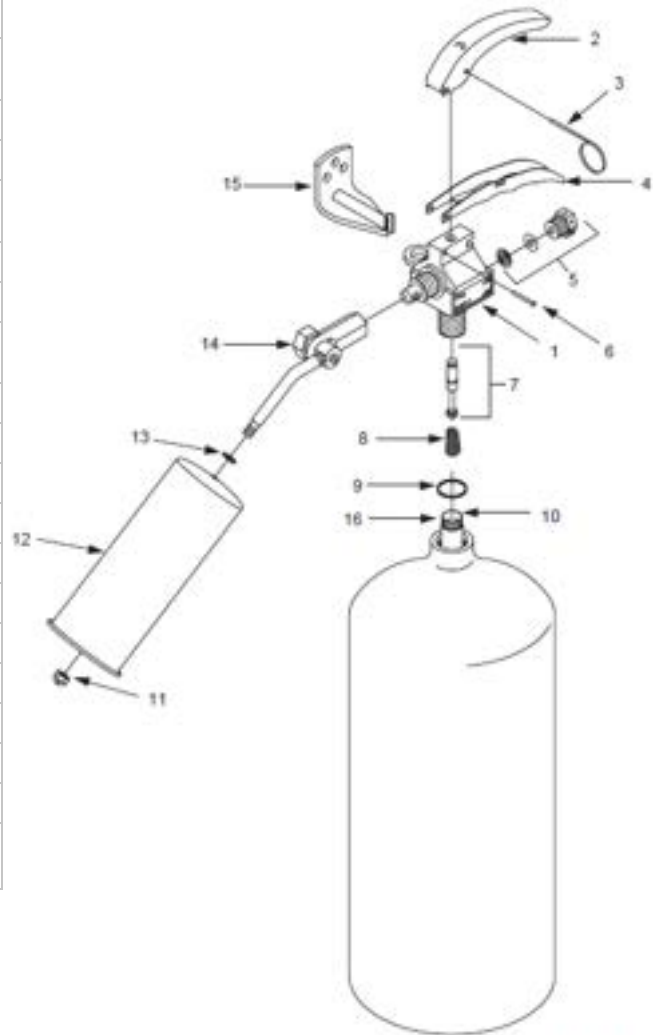


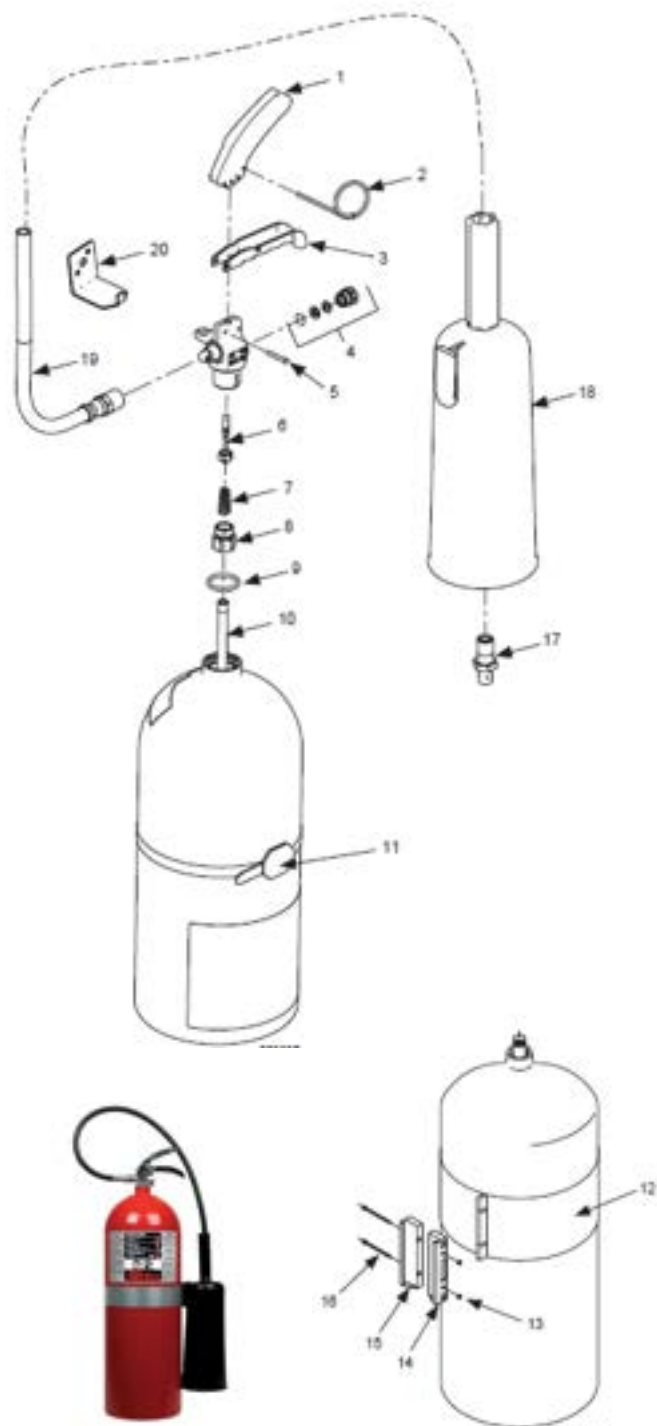
Diagram Ansul Sentry



# Sentry Carbon Dioxide

Models CD10-A, CD15-1, CD20A-1 (Aluminum), CD10-1, CD10-2, CD15-1, CD15-2, CD20-1, CD20-2 (Steel)

#	Description	Part No.
-	Valve Assembly, Aluminum Models	441002
-	Valve Assemble, Steel Models	441003
1	Lever, Black	441006
1	Lever, Stainless Steel (alternate)	436468
2	Ring Pin	423624
3	Handle, Black	435291
3	Handle, Stainless Steel (alternate)	436469
4	Safety Plug w/Disc & Washer	434607
5	River	429165
6	Plunger Assembly	441004
7	Spring	415565
8	Adaptor	N/A
9	O-Ring, Valve to Cylinder, Aluminum Models Only	429170
10	Pick-up Tube, CD10A-1	431551
10	Pick-up Tube, CD10-1	431552
10	Pick-up Tube, CD15-1/CD20-1	079478
10	Pick-up Tube, CD10-2	442418
10	Pick-up Tube, CD15-2	442424
10	Pick-up Tube, CD20-2	442430
11	Horn/Hose Retainer, 10-15-20 lb Models, One-Piece	471789
12	Band, Metal, 10-15 Models	429348
12	Band, Metal, 20 Model	429349
13	Hex Nut (2 Required)	429202
14	Right Clamp	429199
15	Left Clamp	429200
16	Screw (2 Required)	429201
17	Nozzle, Orifice, 10 lb Models	429198
17	Nozzle, Orifice, 15 lb Models	429210
17	Nozzle, Orifice, 20 lb Models	431621
18	Horn/Hose Retainer, 10-15-20 lb Models, One-Piece	429197
19	Hose	429196
20	Hanger Hook, 10-15 lb Models	079357
20	Hanger Hook, 20 lb Models	079358
-	Nameplate, Replacement w/o UL	Call



# Sentry K-Guard

## Models K01-1, K01-2, K01-3

#	Description	Part No.
1	Valve Body Assembly	430270
2	Lever	430924
3	Handle	430273
4	Ring Pin	430115
5	Rivet	430250
6	Gauge, 100 psi	429536
7	Collar Nut	430274
8	Collar O-Ring	056909
9	Valve Stem O-Ring	429159
10	Valve Stem	429099
11	Spring	430004
12	Fill Tube	429541
13	Pick-up Tube Assembly	439715
14	Hose Retainer	427995
15	Nozzle Tip	439382
16	Hose and Nozzle Assembly	439495
17	Hose O-ring	429544
18	Wall Hanger	430056
-	Heavy Duty Bracket (Not Shown)	422737
-	Visual Inspection Seal (Not Shown)	025940
-	Warning Placard, English/Spanish (Not Shown)	426021
-	Warning Placard, English/Can. French (Not Shown)	426034

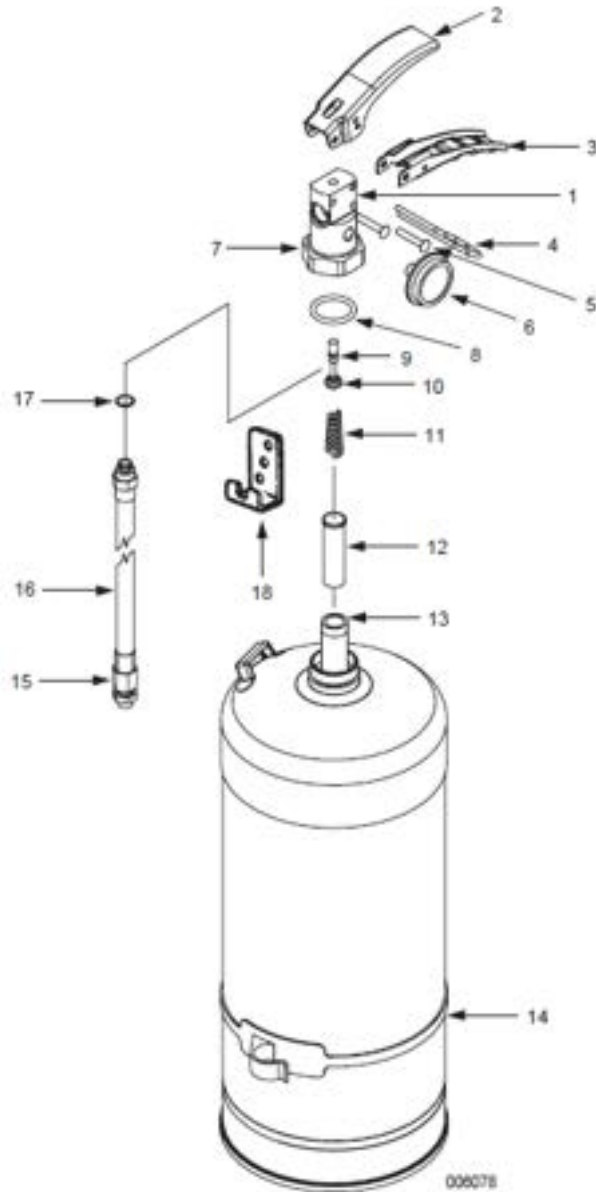


Diagram Ansul Sentry



# Sentry Water Extinguisher

## Models W02-1 (Water)

#	Description	Part No.
1	Valve Body Assembly	430792
2	Lever	430924
3	Handle	430273
4	Schrader Valve, 0-200 psi	429542
5	Ring Pin	430115
6	Rivet	430250
7	Gauge, 100 psi	429536
8	Collar Nut	430274
9	Collar O-Ring	056909
10	Valve Stem O-Ring	429159
11	Valve Stem	429099
12	Spring	430004
13	Fil Tube	429541
14	Pick-up Tube Assembly	437261
15	Hose Retainer	427995
16	Hose and Nozzle Assembly	429543
17	Hose O-Ring	429544
18	Wall Hanger	430056
-	Heavy Duty Bracket (Not Shown)	030937
-	Visual Inspection Seal (Not Shown)	025940

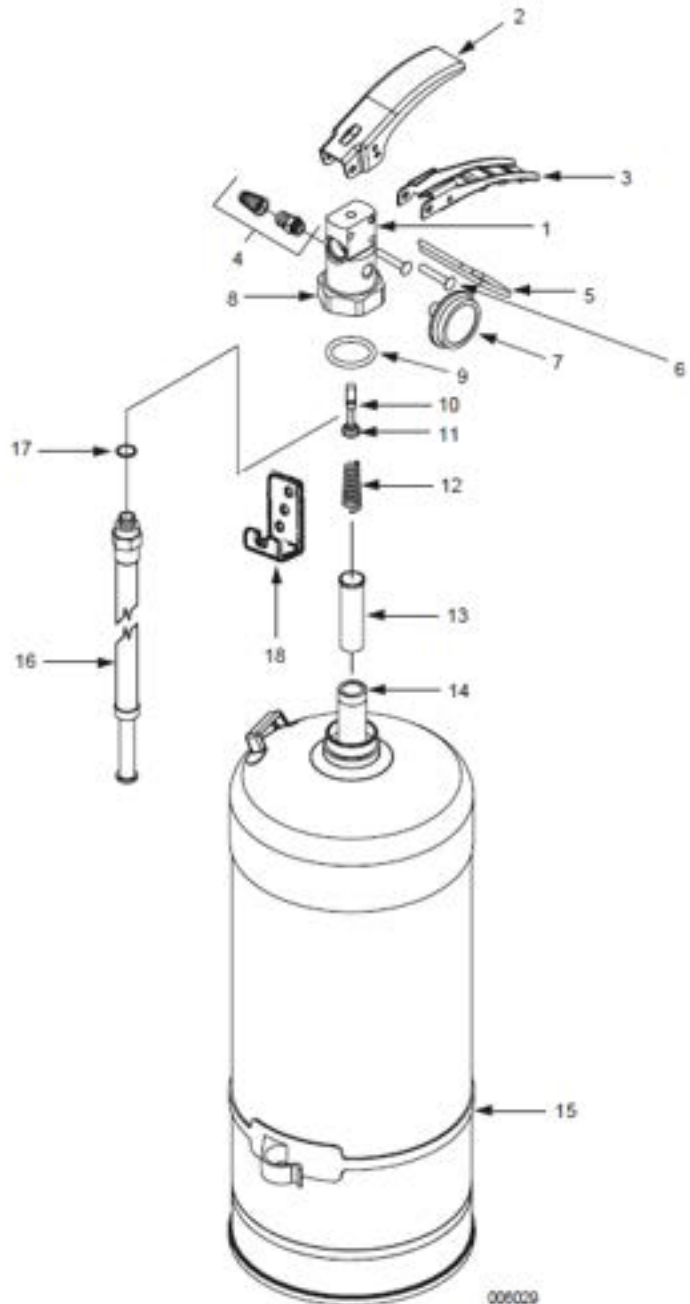


Diagram Ansul Sentry



# Buckeye ABC Extinguishers

## 2.5 lb Model (2.5 SA-ABC)

PARTS LIST  
HAND PORTABLE DRY CHEMICAL  
STORED PRESSURE FIRE EXTINGUISHERS  
STEEL & ALUMINUM CYLINDER  
SMALL HANDLE & LEVER

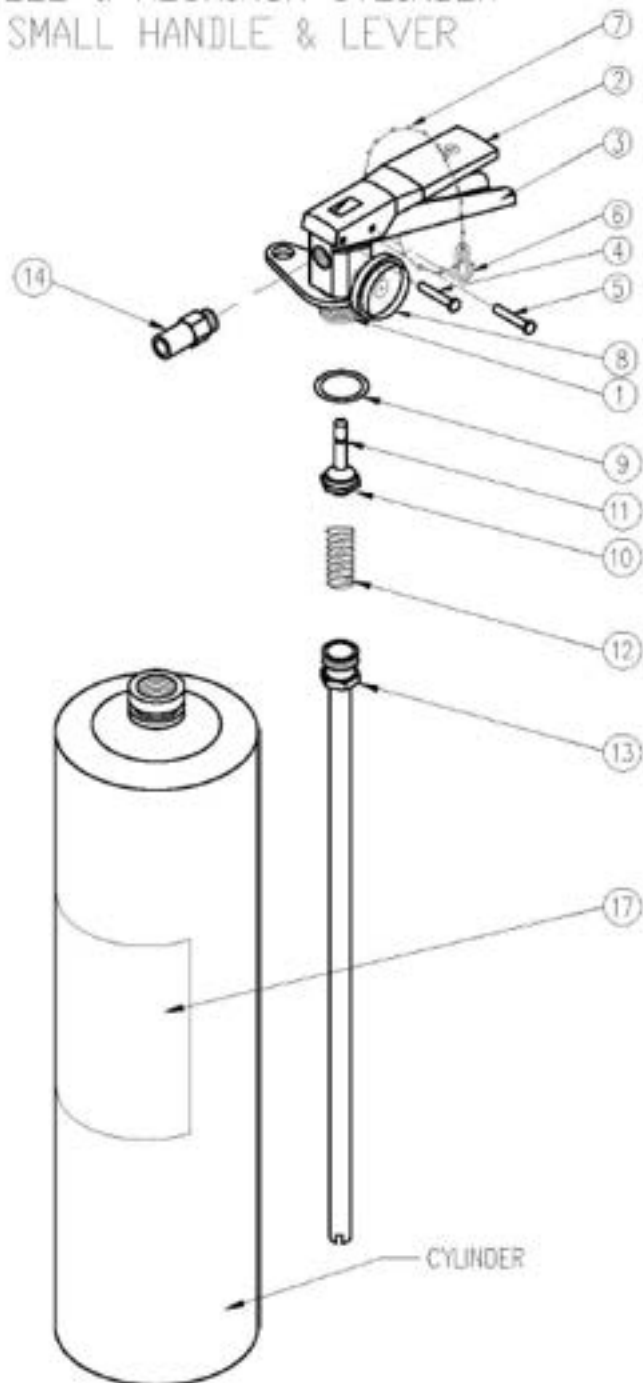


Diagram Buckeye ABC



# Buckeye ABC Extinguishers

## 2.5 lb Model (2.5 SA-ABC)

#	Description	Part No.
1	Valve Assembly—No Gauge or Hookeye	100020
	Valve Assembly—No Gauge or Hookeye (Steel Cylinders w/ wall hook)	100025
2	Small Lever	900217
3	Small Handle	900218
4	Rivet for Lever	900050
5	Rivet for Handle	900049
6	Pull Pin & Cord	200096
7	Tamper Seal	900036
8	Gauge—100 psi: Dry Chemical	900018
9	Neck O-Ring	900001
10	Valve Stem w/ O-Ring	103215
11	Stem O-Ring	900002
12	Spring	900105
13	Siphon Tube/Nut Assembly	900968
14	Fixed Nozzle .125	110125
17	Label, Non-UL	Varies



Diagram Buckeye ABC ctd...



# Buckeye ABC Extinguishers

5-20lb Models (5HISA40-ABC, 10HISA80-ABC, 20SHISA-ABC)

PARTS LIST  
HAND PORTABLE DRY CHEMICAL  
STORED PRESSURE FIRE EXTINGUISHERS  
LARGE HANDLE & LEVER

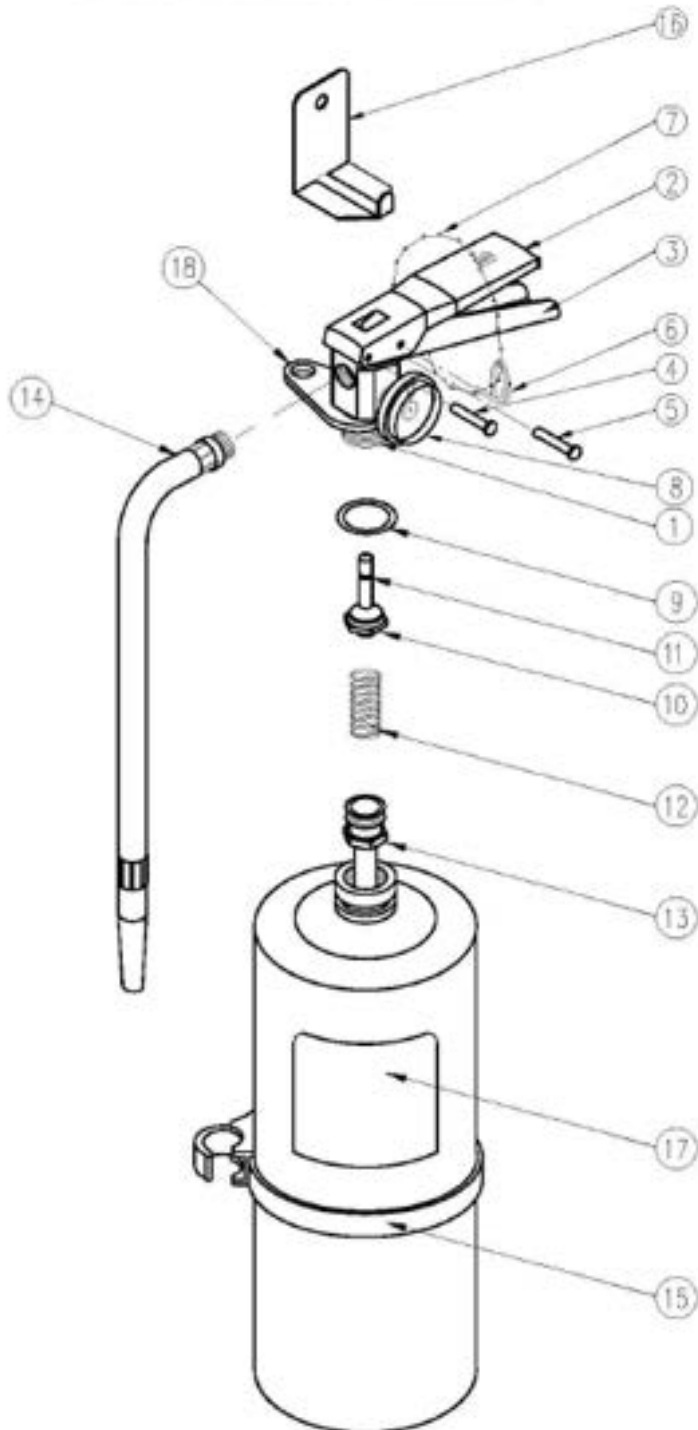


Diagram Buckeye ABC ctd...



# Buckeye ABC Extinguishers

## 5-20 lb Models (5HI-SA40-ABC, 10HI-SA80-ABC, 20SHI-SA-ABC)

#	Description	Part No.
1	Valve Assy.—No Gauge—Aluminum	149207
2	Large Lever—Aluminum	900210
3	Large Handle—Aluminum	900228
4	Rivet for Lever—Aluminum	900050
5	Rivet for Handle—Aluminum	900049
6	Pull Pin & Cord (5lb)	200096
	Pull Pin & Cord (10 & 20lb)	200095
7	Tamper Seal	900036
8	Gauge—195 PSI	900026
9	Neck O-Ring	900001
10	Valve Stem w/ O-Ring	103215
11	Stem O-Ring	900002
12	Spring	900105
13	Siphon Tube Assy (5-5.5)	900960
	Siphon Tube Assy (10)	900971
	Siphon Tube Assy (20S)	900972
14	Hose/Nozzle Assy .128 (5HI-SA40-ABC)	109267
	Hose/Nozzle Assy .144 (10HI-SA80-ABC)	113277
	Hose/Nozzle Assy .180 (20SHI-SA40-ABC)	126216
15	Hose Band (5 & 10 Models)	300492
	Hose Band (10S & 20S Models)	300489
16	Wall Hook (5lb)	700202
	Wall Hook (10lb)	700203
	Wall Hook (20S)	700247
17	Label, Non-UL	Varies
18	Hookeye	700201
	Complete Valve Assembly	200035



Diagram Buckeye ABC ctd...





# Buckeye CO2 Extinguishers, ctd...

## Models (45100, 45600, 46100, 46600)

#	Description	Part No.
1	Valve Body (All Models)	900302
2	Rivet for Lever (All Models)	900053
3	Rivets for Handle (2 required) (All Models)	900052
4	Lever (All Models)	900322
5	Handle (All Models)	900919
6	Pull Pin & Cord (All Models)	200095
7	Tamper Seal (All Models)	900036
8	Elbow w/ O-Ring (5lb)	450202
	Elbow w/ O-Ring (10, 15, & 20lb)	455202
9	Elbow O-Ring (All Models)	900331
10	Safety Disk, Gasket & Nut Assy. (All Models)	200081
11	Neck O-Ring (All Models)	900329
12	Valve Stem—No O-Ring (All Models)	900321
13	Stem O-Ring (All Models)	900328
14	Spring (All Models)	900319
15	Siphon Tube Retainer (All Models)	450239
16	Siphon Tube— 12-5/8" (5lb)	450240
	Siphon Tube— 15-1/8" (10lb)	455240
	Siphon Tube— 21-5/16" (15 & 20lb)	460240
17	Hose & Band Clip (10 & 15 lb)	HBCO2-10/15
	Hose & Band Clip (20 lb)	HBCO2-20
18	Swivel-Discharge Tube (5lb)	900310
19	Horn (5lb)	900313
	Horn (10, 15, & 20lb)	900391
20	Hose/Nozzle Assy (10, 15, 20lb)	453231
21	Retaining Pin (10, 15, 20lb)	900316



Diagram Buckeye Carbon Dioxide Extinguishers, ctd...

# Buckeye Water Extinguisher

Models (50000)

PARTS LIST  
HAND PORTABLE 2 1/2 GALLON WATER  
STORED PRESSURE FIRE EXTINGUISHER  
PART NUMBER: 50000

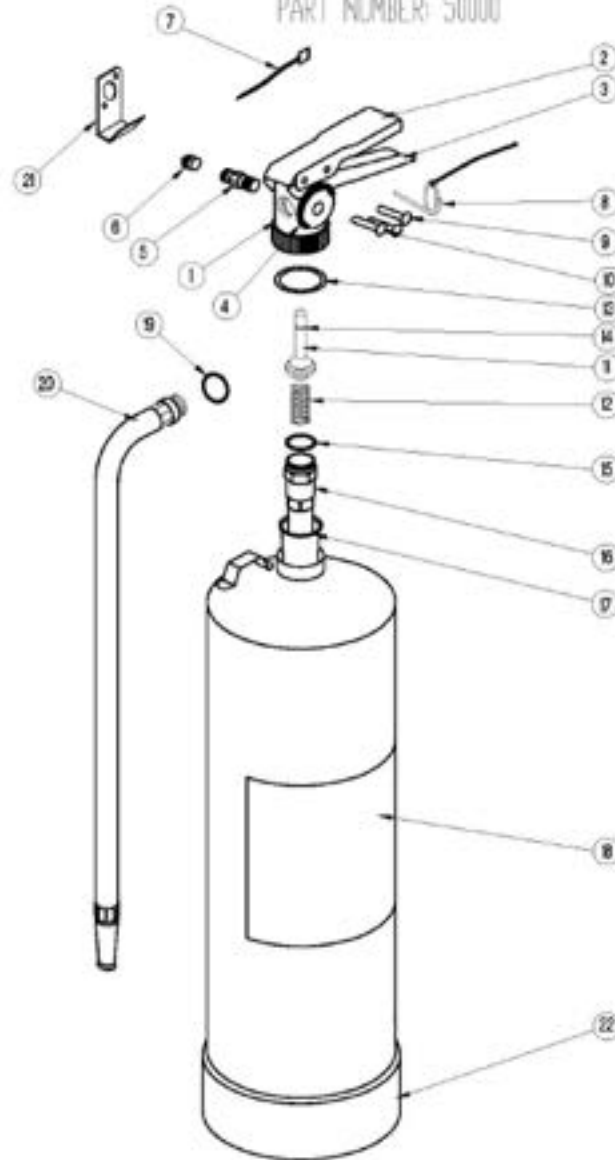


Diagram Buckeye Water Extinguisher



# Buckeye Water Extinguisher

## Models (50000)

#	Description	Part No.
1	Valve Body Assembly	VALVE001
2	Lever	900322
3	Handle	900919
4	Gauge	GAGE001
5	Schrader Valve w/ Cap	900133
6	Schrader Valve Cap	900136
7	Tamper Seal	900036
8	Pull Pin & Cord	200095
9	Handle Rivet (2 required)	900052
10	Lever Rivet	900053
11	Valve Stem Assembly w/ O-Ring	900921
12	Spring	900928
13	Valve Body O-Ring	900916
14	Valve Stem O-Ring	900925
15	Discharge Tube O-Ring	900930
16	Discharge Tube w/ O-Ring	300464
17	Fill Tube	900912
18	Label, Non-UL	VARIES
19	Hose O-Ring	900941
20	Hose Assembly	SHA10027
21	Wall Hanger	900935
22	Plastic Black Foot	SSF10012



Diagram Buckeye Water Extinguisher, ctd



# Buckeye K-Class

Models (50006)

PARTS LIST  
6 LITER WET CHEMICAL  
STORED PRESSURE  
FIRE EXTINGUISHER  
STAINLESS STEEL CYLINDER  
PART NUMBER 50006

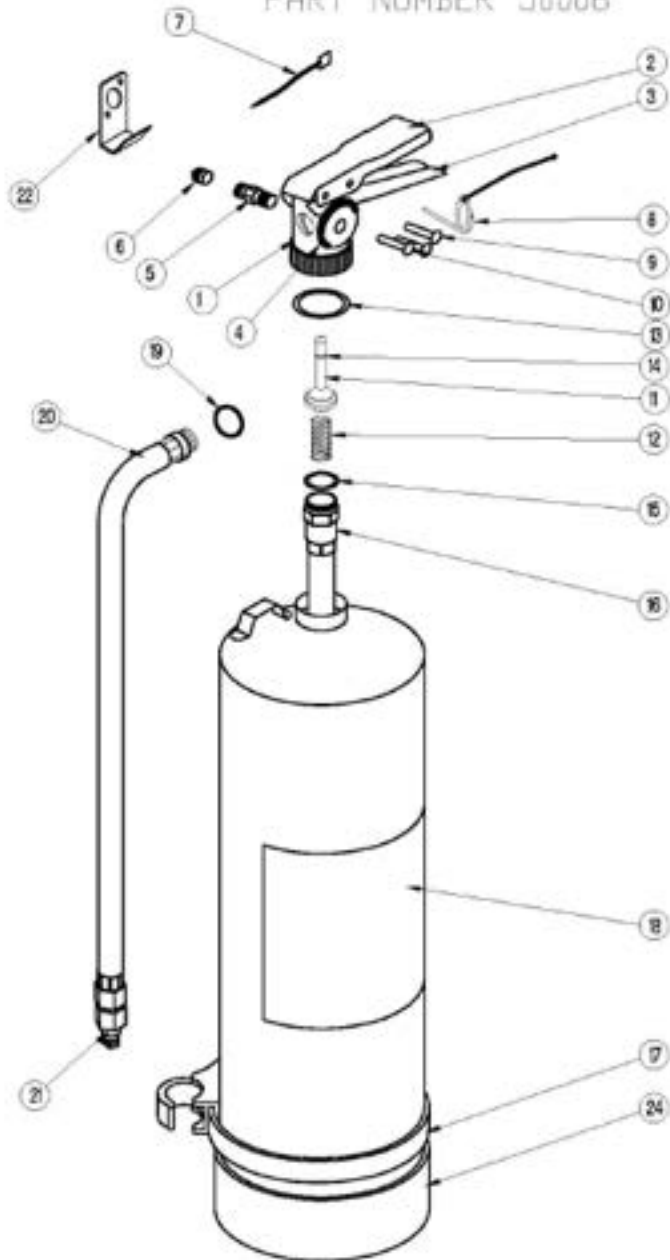


Diagram Buckeye K-Class

# Buckeye K-Class Ctd...

## Models

#	Description	Part No.
1	Valve Body Assembly	900913
2	Lever	900322
3	Handle	900919
4	Gauge	900920
5	Schrader Valve w/ Cap	900133
6	Schrader Valve Cap	900136
7	Tamper Seal	900036
8	Pull Pin & Cord	200099
9	Handle Rivet (2 required)	900052
10	Lever Rivet	900053
11	Valve Stem Assembly w/ O-Ring	900921
12	Spring	900928
13	Valve Body O-Ring	900916
14	Valve Stem O-Ring	900925
15	Discharge Tube O-Ring	900930
16	Discharge Tube w/ O-Ring	300465
17	Hose Band	300489
18	Label, Non-UL	Varies
19	Hose O-Ring	900941
20	Discharge Assembly w/ Nozzle & O-Ring	WC6LDA
21	Nozzle Assembly	NOZ001WCA
22	Wall Hanger	900935
23	Class K Sign (Not Shown)	900747
24	Black Plastic Foot	SSF10023



Diagram Buckeye K-Class ctd...



# R102 Automan Regulated Release Assy.

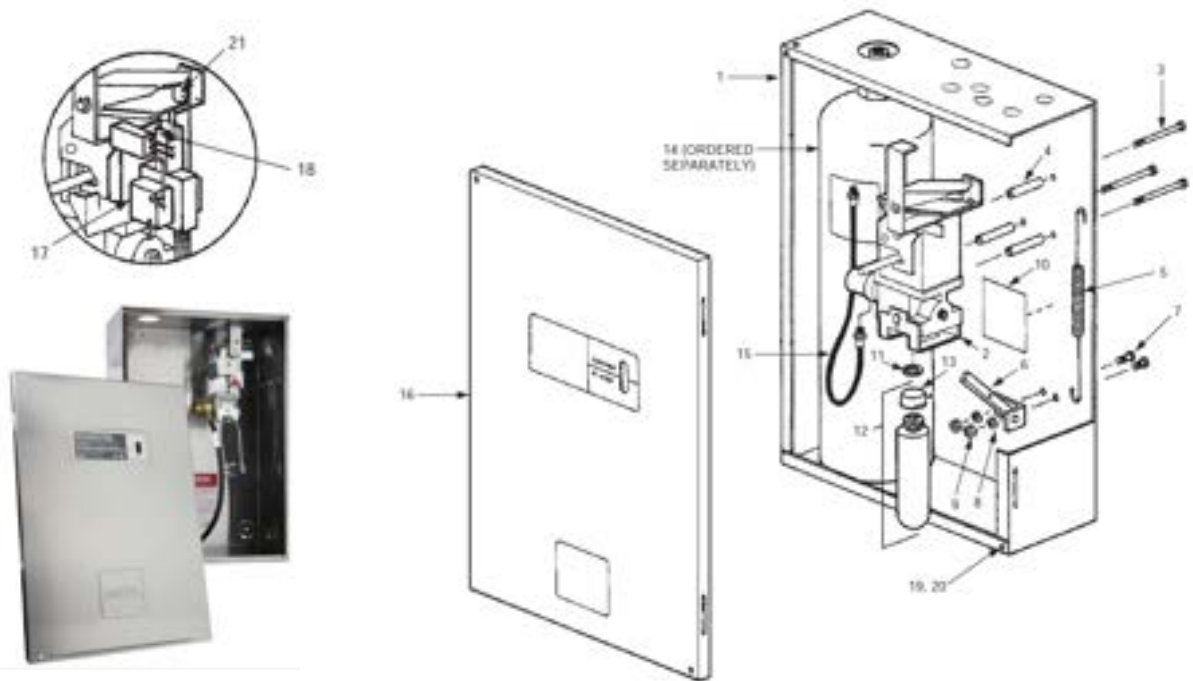


Figure	Description	Mechanical Part No.	Electrical Part No.
—	Regulated Release Shipping Assembly	429853	429856
1	Mounting Box	419293	429293
2	Basic Release w/Regulator	079140	—
	Basic Release w/Solenoid, Switch and Regulator	—	079288
3	Self Tapping Screw	071342	071342
4	Spacer	076555	076555
5	Tension Spring	079094	079094
6	Lever and Bracket Assembly	079300	079300
7	Machine Screw	014973	014973
8	Lock washer	007310	007310
9	Hex Nut	014732	014732
10	Caution Label	057652	057652
11	Gasket	000181	000181
12	Cartridge Assembly (sold separately)	—	—
13	Safety Shipping Cap	077251	077251
14	Tanks Assembly 1.5/3 gallon (sold separately)	—	—
15	Hose Assembly	079007	079007
16	Enclosure Cover (includes label)	423744	423744
17	Solenoid Assembly	—	423575
18	Electric Snap Action Switch	—	423878
19	Cover Screw	015362	015362
20	Speed Nut	423479	423479
21	Set Screw (25 pack)	439517	439517

Diagram Ansul R102



# R102 Regulated Actuator Assembly

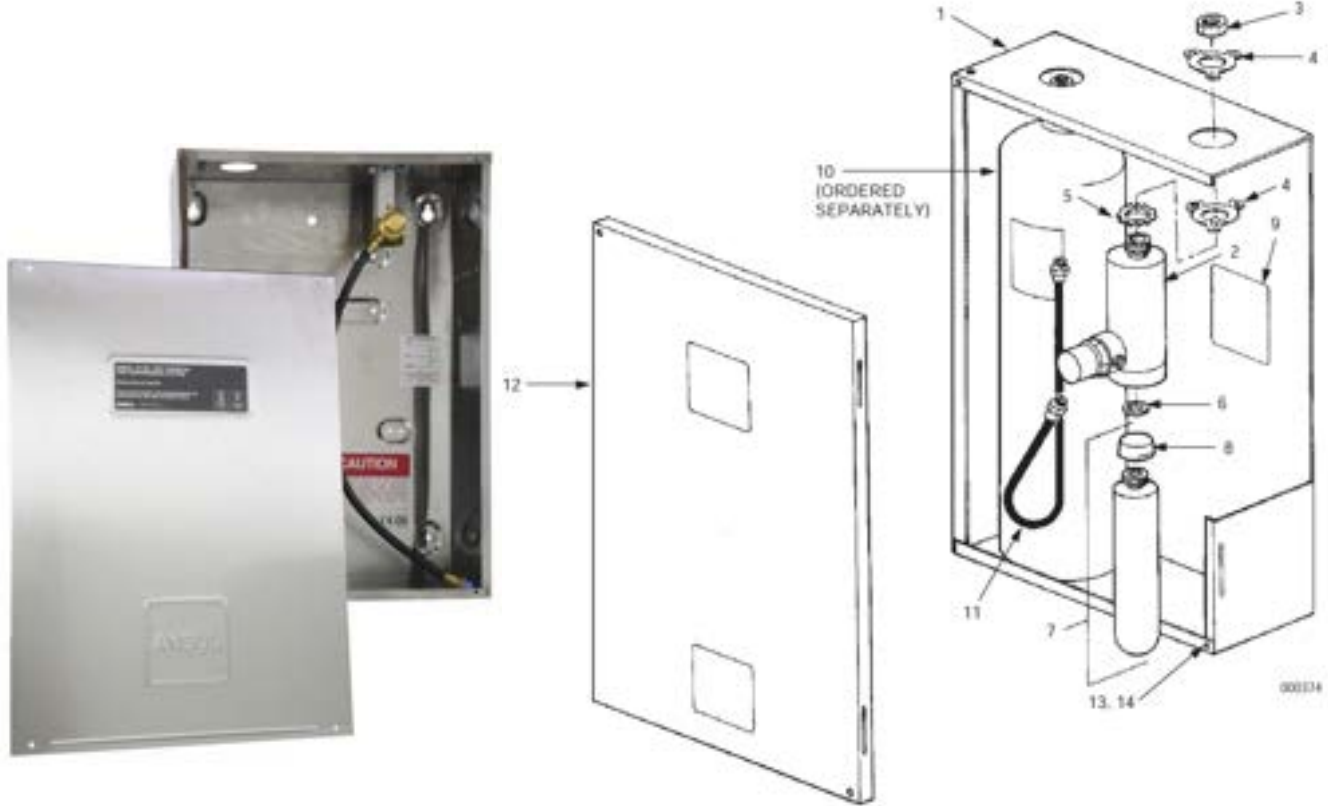


Figure	Description	Part No.
—	Regulated Actuator Assembly	429850
1	Mounting Box	419293
2	Pneumatic Actuator Assy. Inc. Regulator	079340
3	Hex Jam Nut	067990
4	Hole Adaptor (2)	423277
5	Lock washer	069521
6	Gasket	000181
7	Cartridge Assembly, LT-20 (sold separately)	007032
	Cartridge Assembly, LT-30 (sold separately)	005373
	Cartridge Assembly, Double Tank (sold separately)	073022
	Cartridge Assembly, LT-A-101-30 (sold separately)	029187
8	Safety Shipping Cap	077251
9	Label	426953
10	Tank Assembly 1.5 gal. (sold separately)	429864
	Tank Assembly 3 gal. (sold separately)	429862
11	Hose Assembly	079007
12	Enclosure Cover (without labels)	419294
13	Cover Screw	015362
14	Speed Screw	423479



# R102 Enclosure Assembly



Figure	Description	Part No
—	Enclosure Shipping Assembly	429870
1	Enclosure	419295
2	Cover	419296
3	Nameplate	729871
4	Screw	015362
5	Speed Nut	423479



# R102 Tank Assembly



Diagram Ansul R102

Figure	Description	1.5 Gallon Part No	3 Gallon Part No
—	Remote Release	429864	429862
1	Tank Adaptor Shipping Assembly	430103	079522
2	Pickup Tube Assembly	429883	417700
3	Vent Plug Assembly	074247	074247
4	O-Ring	056909	056909
5	Union Nut	417705	417705
6	Union Tail Piece	417706	417706
7	Burst Disc	416974	416974
8	Shell	429861	429862
9	Nameplate	NA	NA



# R102 Remote Release

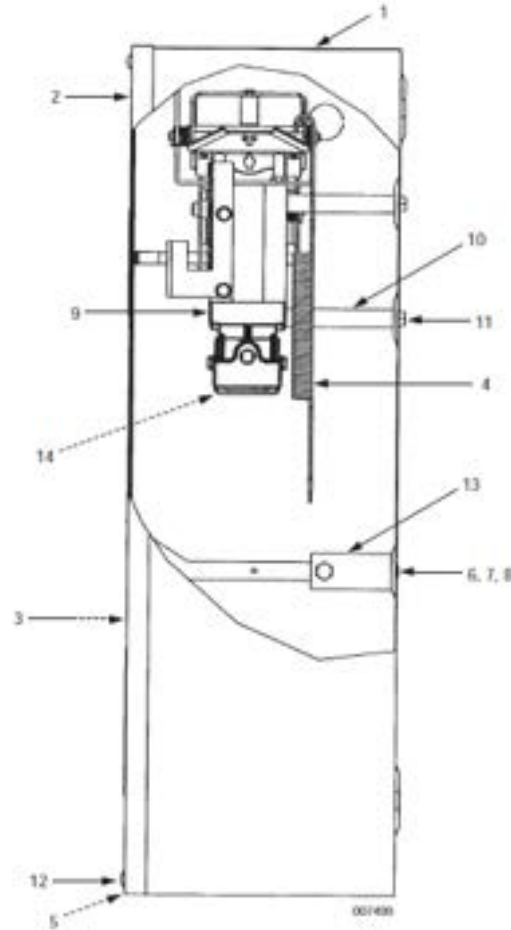


Figure	Description	Part No
—	Remote Release	433485
1	Mounting Box	419295
2	Cover	419296
3	Maintenance Label	017351
4	Spring	079094
5	Speed Nut	423479
6	Machine Screw	014973
7	Hex Nut	014732
8	Lockwasher	007310
9	101 Release	433702
10	Spacer	076555
11	Screw	071342
12	Screw Cover	015362
13	Tensions Lever and Bracket Assembly	079300
14	Gasket	000181
15	101 Cartridge	015850



# Amerex Bracket Reference Guide



## EXTINGUISHERS AT-A-GLANCE

AGENT TYPE	SIZE (CAPACITY)	MODEL	CYLINDER DIAMETER (INCH)	INCLUDED BRACKET	USCG BRACKET	OPTIONAL BRACKETS	RUBBER STRAP BRACKETS	809 DOLLY OPTION
WATER	2.5 Gal	240	7	816 Wall	N/A	810	864	Yes
WET CHEMICAL	6 Liter	C260	7	816 Wall		810	N/A	
	2.5 Gal	C262	7	816 Wall		810	864	Yes
	6 Liter	C260CG	7	816 Wall	810CG	N/A	N/A	
	2.5 Gal	C262CG	7	816 Wall	810CG	N/A	N/A	
WATER MIST	1.75 Gal	C270	7	8155 Wall	N/A	810, 815NM	N/A	
	2.5 Gal	C272	7	8155 Wall	N/A	810, 815NM	N/A	
HALOTRON® BULK	190 LB.	327TS	3.25	897S				
	3.55 LB.	329	3.5	893TS				
	3.75 LB.	347TS	3.25	898TS				
	3.75 LB.	349TS	3.25	898TS				
	12.5 LB.	361	5	801 Wall		809		
HALOTRON® I	1.4 LB.	A384T	2.63	845 Vehicle	N/A	845S	N/A	
	2.5 LB.	B385TS	3	817S Vehicle	N/A	817S	860	
	5 LB.	B386T	4.25	818 Vehicle	818, 821, 861H	815, 821, 821S, 807	860	
	5.5 LB.	B394TS	4.25	815 Aircraft	N/A	815, 821, 821S, 807	860	
	11 LB.	397	5	802 Wall	812	812	N/A	
	15.5 LB.	398	5	802 Wall	812	812	N/A	
HALON 1211	1.25 LB.	A344T	2.63	845 Vehicle	N/A	845S	N/A	
	2.5 LB.	C362TS	3	817S Aircraft	817	N/A	860	
	3 LB.	C364TS	3	817S Aircraft	817	N/A	860	
	5 LB.	B365T	4.25	818 Vehicle	818, 821, 861H	815, 821, 821S, 807	860	
	9 LB.	B369	5	801 Wall	808, 809	808, 809, 846, 889H-8, 895	862	
	12 LB.	B371	5	816 Wall	809	846, 809, 846, 889H-8, 895	862	
	17 LB.	361	7	803 Wall	810	810	864	Yes
HT SERIES	190 LB.	A637TS	3.25	899TS Vehicle				
	3.75 LB.	647	3.25	853 Wall		898TS	860	
	3.75 LB.	649	3.25	853 Wall		898TS	860	
	12.5	661	5	801 Wall		809		
CARBON DIOXIDE	5 LB.	322	5.25	801 Wall	809	809	862	
	5 LB.	322NM	5.25	80155 Wall	N/A	N/A	N/A	
	10 LB.	330	7	802 Wall	810	810	N/A	
	15 LB.	331	7	802 Wall	810	810	864	Yes
	20 LB.	332	8	20# CO2 Wall	811	811	864	Yes
ABC DRY CHEMICAL	2.5 LB.	B407 / B417T	3	817VM Wall / 817	817	817S	860	
	5 LB.	B402 / B402T	4.25	888 Wall / 818	818, 821, 861H	815, 821, 821S, 807	860	
	5 LB.	B600 / B600T	4.25	888 Wall / 818	818, 821, 861H	815, 821, 821S, 807	860	
	5 LB.	B424	4.25	888 Wall	821, 861H	821, 821S, 807	860	
	6 LB.	B443	5	801 Wall	808, 809, 895	808, 809, 889H-8, 895	862	
	6 LB.	B461	5	801 Wall	808, 809, 895	808, 809, 846, 889, 895	862	
	10 LB.	B466	5	801 Wall	809, 895	808, 809, 846, 889, 889H-8, 895	862	
	10 LB.	B441	5	816 Wall	806, 895	808, 809, 889H-8, 895, 846	862	
	20 LB.	A411	7	803 Wall	810	810	864	Yes
	20 LB.	423	7	803 Wall	810	810	864	Yes
PURPLE K DRY CHEMICAL	1 L.E.	376T	2.63	846				
	2.5 LB.	377	3					
	2.5 LB.	B410T	3	817	817	817S	860	
	5 LB.	B479 / B479T	4.25	888 Wall / 818 VM	818, 821, 861H	807, 815, 821, 821S, 861H	860	
	10 LB.	B460	5	816 Wall	809, 895	808, 809, 846, 889H-8, 895	862	
	20 LB.	A413	7	803 Wall	810	810	864	Yes
CLASS D DRY POWDER	30 LB.	8670	8	803 Wall	N/A	811	864	Yes
	30 LB.	CS71	7	877 Wall	810	810	864	Yes
Z-SERIES HIGH PERFORMANCE	10 LB. (4.5 KG)	711, 712	5	877 Wall	808, 809G	809, 809G	N/A	
	15.2 LB. (6 KG)	713, 716, 790, 793	7	877 Wall	810 & 810G	810 & 810G	N/A	
	20 LB. (9 KG)	714, 717, 791, 794, 796	7	877 Wall	810 & 810G	810 & 810G	864	Yes
	30 LB. (13.6 KG)	716, 718, 792, 796	8	876 Wall	811 & 811G	811 & 811G	864	Yes
HIGH-FLOW DRY CHEMICAL	10 LB.	720, 722	5	816 Wall	806, 895	808, 809, 889H-8, 895, 846	862	
	20 LB.	760, 762	7	803 Wall	810	810	864	Yes

Amerex Bracket Reference



# Strike First Bracket Reference Guide



## FIRE EXTINGUISHER VEHICLE/MARINE BRACKETS

### STANDARD DUTY



MODEL	UP2, UP2 - DB	UB5, UB5 - DB
For Extinguisher	2.5 lb Dry Chemical	5 lb Dry Chemical
U.S.C.G. Approved	YES	YES

- Durable polyester powder paint finish
- Stainless steel strap and clips
- Durable rubber bumpers

### MEDIUM DUTY



MODEL	UP10 - MD	UP5 - MD
Diameter	5 1/8" (13 cm)	4 1/4" (11 cm)
For Extinguisher	10 lb Dry Chemical	5 lb Dry Chemical
U.S.C.G. Approved	YES	YES

- Durable polyester powder paint finish
- Heavy gauge steel construction
- Compact design
- Ideal for forklifts, industrial trucks and delivery vehicles
- Double Strap Available

### HEAVY DUTY



MODEL	HDVB-1	HDVB-2	HDVB-3	HDVB-4
Diameter	4 - 4 3/4" (102 - 121 cm)	5 - 6" (127 - 152 cm)	6 1/4 - 7 1/8" (159 - 181 cm)	6 1/4 - 7 1/8" (159 - 181 cm)
For Extinguisher	5 lb ABC/BC	10 lb ABC/BC	20 lb ABC/BC	30 lb ABC
		5 lb CO <sub>2</sub>	10 lb CO <sub>2</sub> 15 lb CO <sub>2</sub>	
U.S.C.G. Approved	YES	YES	YES	YES

- Strong Uni-Body Construction
- Reflective label for added safety
- Stainless steel pull pin with tether
- Rounded corners for added safety
- Durable polyester powder coat finish
- Individually boxed for easy handling

### WALL HOOKS



TYPE	PART NO.	FOR MODEL(S)
Dry Chemical	C160739	5 lb (ABC/BC)
	C160753	10 lb (ABC/BC)
	C160793	20 lb (ABC/BC)
	C160794	30 lb (ABC/DC)
CO <sub>2</sub>	SF5WH	5 lb (CO <sub>2</sub> )
	SF1015WH	10 lb (CO <sub>2</sub> ) 15 lb (CO <sub>2</sub> )
	SF20WH	20 lb (CO <sub>2</sub> )
Class K Water	W160600	Class K (6L)
		Water (2.4 gal/9L)

- Heavy gauge steel construction
- Designed for easy removal of fire extinguisher
- Durable polyester powder coat finish
- Universal design



### EXTINGUISHER CART



MODEL	CAPACITY	HEIGHT	WIDTH	DEPTH	WEIGHT
HD-CART	7 - 8" Diameter	39" (99 cm)	13 1/4" (34 cm)	13 1/2" (8.2 cm)	20 lb (9 kg)



Shown with 30 lb ABC



# Ansul Bracket Reference Guide

## Stored Pressure Extinguisher Brackets

### Description

Brackets are available for each SENTRY and CLEANGUARD hand portable extinguisher. Certain applications require extinguishers to be mounted in brackets for safety and restraint.

### Installation and Mounting

Make certain mounting location and position meet NFPA-10 requirements.

Brackets may be mounted in a vertical, horizontal or sloping position on sufficiently strong, stationary supporting surfaces or within suitable vehicle compartments.

The brackets are provided with mounting holes in the back plate (frame) and/or mounting holes in the base. The mounting surface will usually dictate that either the back or the base



00864

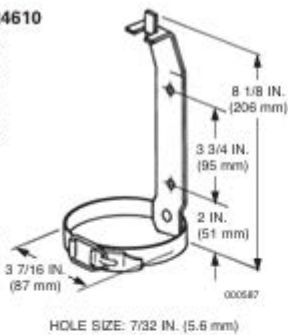
of the bracket be used but in some cases, both may be used to improve the weight distribution. Use good quality fasteners, one in each mounting hole. Fasteners should be tightened as recommended for the specific type and grade of fastener used.

Even though welding is an effective method of securing the bracket in place, it is NOT recommended because Johnson Controls has no control over the placement and quality of the welds.

### Models

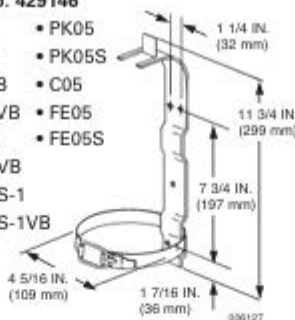
#### Part No. 24610

- SY-0216
- SY-0236
- SY-0241
- SY-0243
- A02
- A02VB
- A02S
- A02SVB
- C02VB
- FE02VB



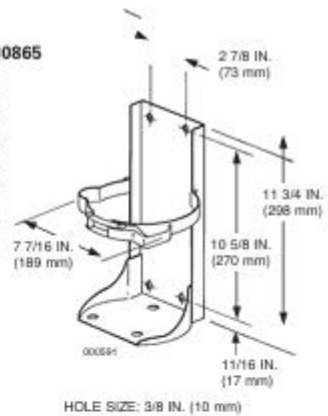
#### Part No. 429146

- A05
- A05S
- A05VB
- A05SVB
- AA05
- AA05VB
- AA05S-1
- AA05S-1VB
- PK05
- PK05S
- C05
- FE05
- FE05S



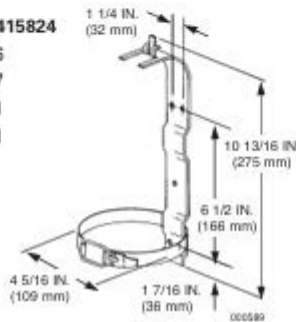
#### Part No. 30865

- SY-1013
- SY-1014
- SY-1023
- SY-1024
- SY-1033
- SY-1034
- SY-1441
- A10H
- A10I
- PK10
- PK10I
- C10
- C10I



#### Part No. 415824

- SY-0516
- SY-0517
- SY-0521
- SY-0531



#### Part No. 435793

- AA10S
- PK10S
- C10S
- HF-AA10S
- HF-PK10S
- AA10SI
- PK10SI
- HF-AA10SI
- HF-PK10SI

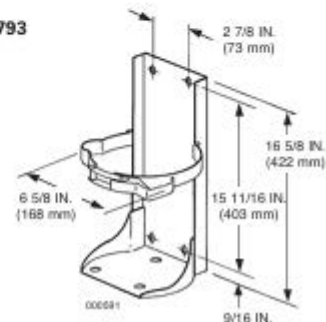


Diagram last updated in 2018.

Not seeing the matching extinguisher? Let us know, we will help you find the right bracket.

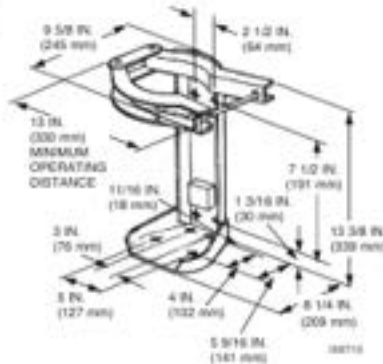


# Ansul Bracket Reference Guide (continued)

## Models (Continued)

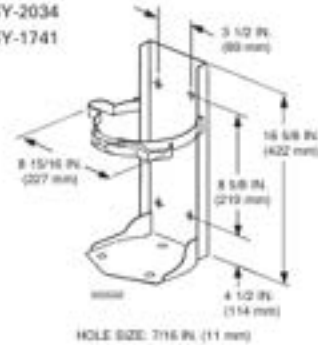
### Part No. 79456

- SY-1071
- SY-1072
- SY-1571
- SY-1572
- CD10
- CD15
- CD10A
- CD15A
- CD10-1
- CD15-1
- CD10-2
- CD15-2



### Part No. 30937

- SY-2013
- SY-2014
- SY-2023
- SY-2024
- CA-1481
- AA20
- A20I
- AA20-1
- AA20I-1
- HF-AA20-1
- HF-PK20
- HF-AA20I-1
- HF-PK20I
- PK20
- PK20I
- C20
- C20I
- FE13
- SY-2033
- SY-2034
- SY-1741



## Mounting Location

Two considerations will affect the choice of bracket mounting location.

The first is fire protection needs.

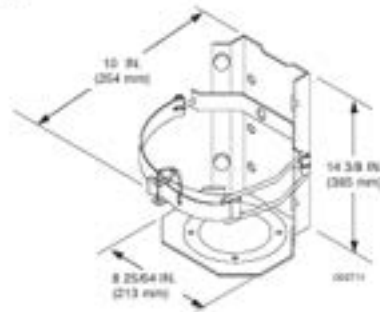
1. The extinguisher must be visible, not hidden in an out-of-the-way spot.
2. The extinguisher must be easy to reach.
3. The extinguisher should not be placed where a fire is likely to make it inaccessible.

The second set of considerations deal with keeping the extinguisher safe and secure.

1. Avoid locations where grease or oil could build up on the extinguisher and bracket.
2. Select a relatively flat mounting surface which is strong enough to support the weight of the extinguisher and bracket.
3. Avoid surfaces which may flex enough to cause metal fatigue in the bracket support.
4. Be sure there is enough space to allow proper mounting of the bracket and easy access to the extinguisher.
5. Avoid locations that may expose the extinguisher to temperatures detrimental to its operation (such as too near a motor or exhaust manifold).

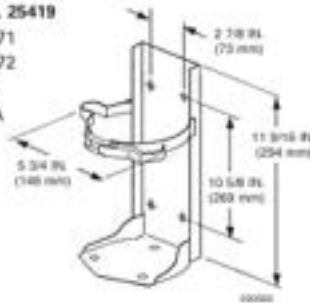
### Part No. 25420

- SY-2071
- SY-2072
- CD20
- CD20A
- CD20-1
- CD20-2



### Part No. 25419

- SY-0571
- SY-0572
- CD05
- CD05A



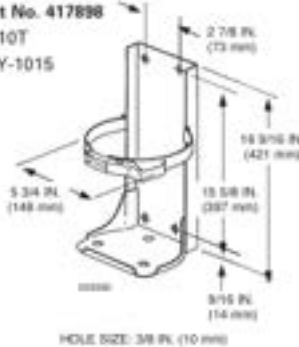
### Part No. 422737

- CA-1081
- FE09



### Part No. 417898

- A10T
- SY-1015



Note: The converted metric values in this document are provided for dimensional reference only and do not reflect an actual measurement.

SENTRY, CLEANGUARD and the product names listed in this material are marks and/or registered marks. Unauthorized use is strictly prohibited.

Diagram last updated in 2018.

Not seeing the matching extinguisher? Let us know, we will help you find the right bracket.





## Bulletin

ANSUL INCORPORATED  
ONE STANTON STREET  
MARINETTE, WI 54143-2542  
715-735-7411  
www.ansul.com

### GENERAL BULLETIN NO. 5158

DATE: October 25, 2006  
TO: All ANSUL® Authorized Pre-Engineered System Distributors  
FROM: Product Management – Pre-Engineered Systems  
SUBJECT: Fusible Link Date Control

Since the 1995 editions, NFPA 17 “Standard for Dry Chemical Extinguishing Systems” and NFPA 17A “Standard for Wet Chemical Extinguishing Systems” have redefined the life of fusible links to **begin on the date of installation.**

The 2002 Editions of NFPA 17 (11.3.2.2) and NFPA 17A (7.3.3.1) state:

*“The year of manufacture and the date of installation of the fixed temperature-sensing element shall be marked on the system inspection tag. The tag shall be signed or initialed by the installer.”*

Annex A.11.3.2 of NFPA 17 and A.7.3.3 of NFPA 17A also states:

*“The date of manufacture marked on fusible metal alloy sensing elements **does not limit when they can be used. These devices have unlimited shelf life.**”*

NFPA 96 Standard for Ventilation Control and Fire Protection of Commercial Cooking Operations (2004 Edition) paragraph 11.2.4 states:

*“Fusible links (including fusible links on fire damper assemblies) and automatic sprinkler heads shall be replaced at least semi-annually or more frequently if necessary where required.”*

ANSUL requires all fusible links utilized in cooking operations be replaced every six months or more frequently as the hazard may dictate. Due to the six-month change-out requirements, it is critical to mark the date of installation along with the date of the fusible link on an inspection tag to ensure proper maintenance is being performed.

The code requirements spelled out in this bulletin eliminate any need to replace any dated fusible links in your inventory. Effective immediately ANSUL will not accept any returns for fusible links because of date codes.



**Bulletin No. 2016122**  
UL EX 3830; UL EX 3437

DATE: May 20, 2016  
TO: To Authorized PYRO-CHEM Restaurant System Distributors  
FROM: Product Management, Restaurant Systems  
SUBJECT: NEW Stainless Steel Scissor Linkage and Fusible Link Offering

**NOTICE:** It is the responsibility of your company to verify that this information has been received by the employees who currently hold valid certification credentials for design and/or service of the system(s) referenced within this bulletin.

We are pleased to announce the New Stainless Steel Scissor Linkage used in the PYRO-CHEM KITCHEN KNIGHT II Restaurant Fire Suppression System and the MONARCH Industrial Dry Chemical System. The new scissor linkage will provide a means for easier installation of the detection line while using a continuous run of wire rope.

The new stainless steel scissor linkage offers the following limitations:

- Maximum Number of Detectors: **20**
- Maximum length of wire rope: **150 ft (45.7 m)**
- Maximum number of Elbows: **40**

<u>New Part No.</u>	<u>Replaces Part No.</u>	<u>Description</u>	<u>Suggested List Price (USD)*</u>
435547	550131/551032	Detector, Series (Scissor Linkage) Each	\$ 35.25
435548	550035/550041	Detector, Series (Scissor Linkage) 25-Pack	\$ 824.00
435546	N/A	Detector, Terminal (Scissor Linkage) Each	\$ 44.00
440495	N/A	Detector, Terminal (Scissor Linkage) 10-Pack	\$ 147.00
439515	N/A	Scissor Linkage 10-Pack	\$ 150.00

\*Note: Prices are subject to change without notice. Always refer to the latest price files on the PYRO-CHEM extranet prior to ordering.

**Note:** The scissor linkage cannot be hooked inside the detector bracket channel when installed.



# Bulletin






Bulletin No. 2016122

May 20, 2016

Page 2

**UL EX 3830; UL EX 3437**

The SL style fusible link is also approved to be used with the PYRO-CHEM KITCHEN KNIGHT II and MONARCH fire suppression systems, when installed in the new scissor linkage and detector bracket. The SL fusible links are fully color-coded to help ensure the proper temperature-rated link is installed for the application. Color-coding allows for easy identification by installing technicians and simplifies inspection and validation by local Authorities Having Jurisdiction.

Part No. 439085	Part No. 439086	Part No. 439087	Part No. 439088	Part No. 439089
				
<b>Temperature Rating:</b> 165 °F (74 °C)	<b>Temperature Rating:</b> 212 °F (100 °C)	<b>Temperature Rating:</b> 280 °F (138 °C)	<b>Temperature Rating:</b> 360 °F (183 °C)	<b>Temperature Rating:</b> 450 °F (232 °C)
<b>Maximum Allowable Temperature Exposure:</b> 100 °F (38 °C)	<b>Maximum Allowable Temperature Exposure:</b> 150 °F (66 °C)	<b>Maximum Allowable Temperature Exposure:</b> 225 °F (107 °C)	<b>Maximum Allowable Temperature Exposure:</b> 290 °F (143 °C)	<b>Maximum Allowable Temperature Exposure:</b> 360 °F (182 °C)
<b>Color of Link:</b> Black	<b>Color of Link:</b> White	<b>Color of Link:</b> Blue	<b>Color of Link:</b> Red	<b>Color of Link:</b> Green
<b>Quantity:</b> Pack of 25	<b>Quantity:</b> Pack of 25	<b>Quantity:</b> Pack of 25	<b>Quantity:</b> Pack of 25	<b>Quantity:</b> Pack of 25

This bulletin is a temporary supplement to the KITCHEN KNIGHT II Technical Manual (PN551274-06) dated November 10, 2014 and the MONARCH Technical Manual (PN553565) dated February 1, 2010. The information contained in this bulletin will be added to the manuals upon the next printing.

Should you have questions pertaining to this bulletin, please contact Technical Services as noted below.





JL INDUSTRIES



[Sales@firesafetysupply.net](mailto:Sales@firesafetysupply.net)

CONTACT US TODAY

1-800-498-FIRE(3473)

Or Visit one of our Local Branches Below:

**NORTHERN CALIFORNIA**

468 Yolanda Ave. Suite 201  
Santa Rosa, CA 95404  
707-575-9117

**SOUTHERN CALIFORNIA**

9087 Arrow Route #130  
Rancho Cucamonga, CA 91730  
909-476-0085

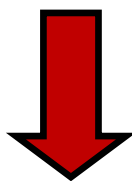
**TEXAS**

712 N. General Bruce Dr.  
Temple, TX 76504  
254-481-0087

**FLORIDA**

\*Coming Soon\*  
1-800-498-FIRE (3473)

**For a digital version of this catalog scan  
QR code**



[Sales@firesafetysupply.net](mailto:Sales@firesafetysupply.net)

**CONTACT US TODAY**

**1-800-498-FIRE(3473)**

Or Visit one of our Local Branches Below:

**NORTHERN CALIFORNIA**

468 Yolanda Ave. Suite 201  
Santa Rosa, CA 95404  
707-575-9117

**SOUTHERN CALIFORNIA**

9087 Arrow Route #130  
Rancho Cucamonga, CA 91730  
909-476-0085

**TEXAS**

712 N. General Bruce Dr.  
Temple, TX 76504  
254-481-0087

**FLORIDA**

\*Coming Soon\*  
1-800-498-FIRE (3473)

**Thank you for your order.**



**Updated April 15, 2026 all prices subject to change without notice.**

**NORTHERN CALIFORNIA**

468 Yolanda Ave. Suite 201  
Santa Rosa, CA 95404  
707-575-9117

**SOUTHERN CALIFORNIA**

9087 Arrow Route #130  
Rancho Cucamonga, CA 91730  
909-476-0085

**TEXAS**

712 N. General Bruce Dr.  
Temple, TX 76504  
254-481-0087

**FLORIDA**

\*Coming Soon\*  
1-800-498-FIRE (3473)